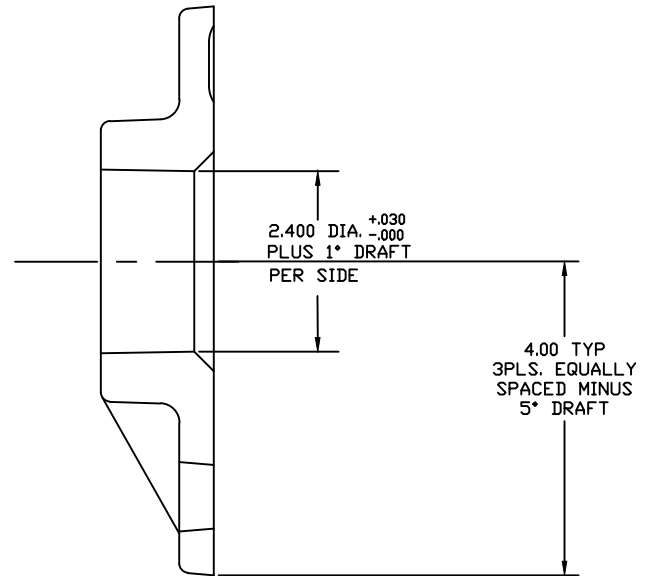
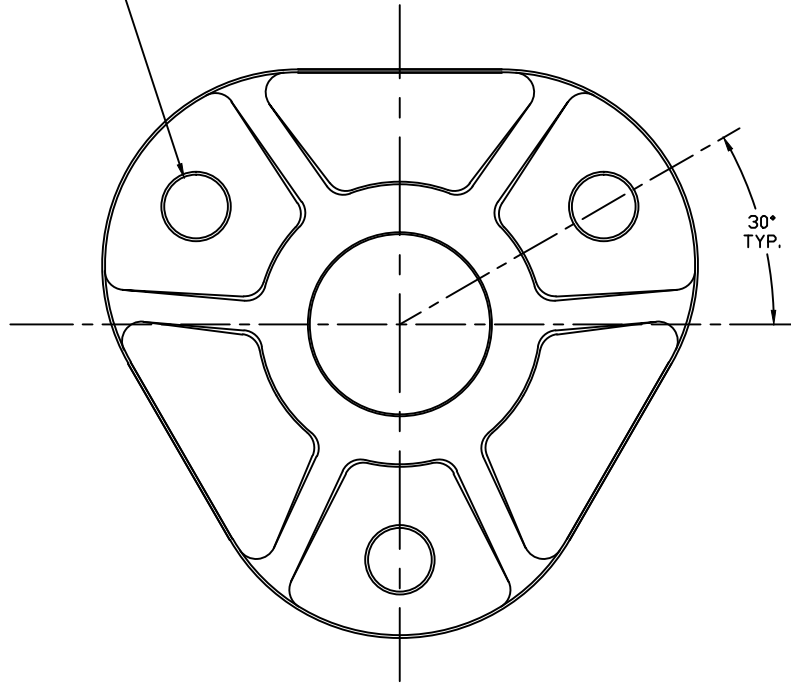


.88 DIA. CORED HOLE PLUS 5° DRAFT PER SIDE
3 PLS. EQUALLY SPACED ON 6.00 DIA. B.C.



Akron Foundry Company	
3" ANCHOR BASE	JOB 8133
L. YERGIN	AB-3 MODIFIED