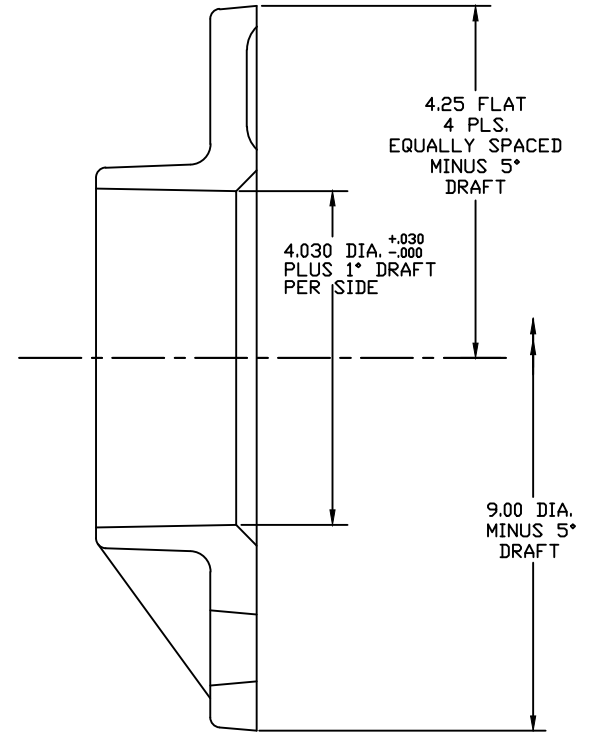


(A)
.88 DIA. CORED HOLE PLUS 5° DRAFT PER SIDE
4 PLS. EQUALLY SPACED ON 7.00 DIA. B.C.

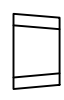
45°
TYP.



4.25 FLAT
4 PLS.
EQUALLY SPACED
MINUS 5°
DRAFT

4.030 DIA. ^{+0.030}/_{-0.000}
PLUS 1° DRAFT
PER SIDE

9.00 DIA.
MINUS 5°
DRAFT



Akron Foundry Company	
4" ANCHOR BASE	
L. YERGIN	AB-4 JOB# 7333