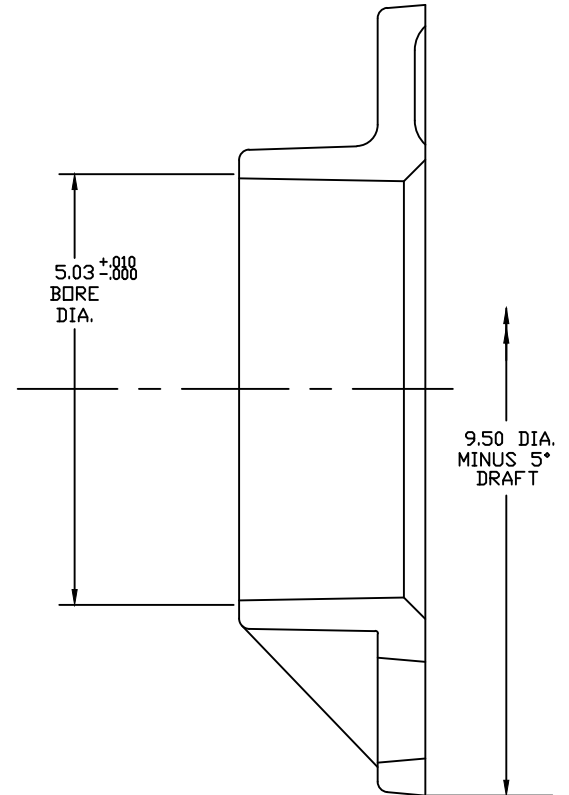
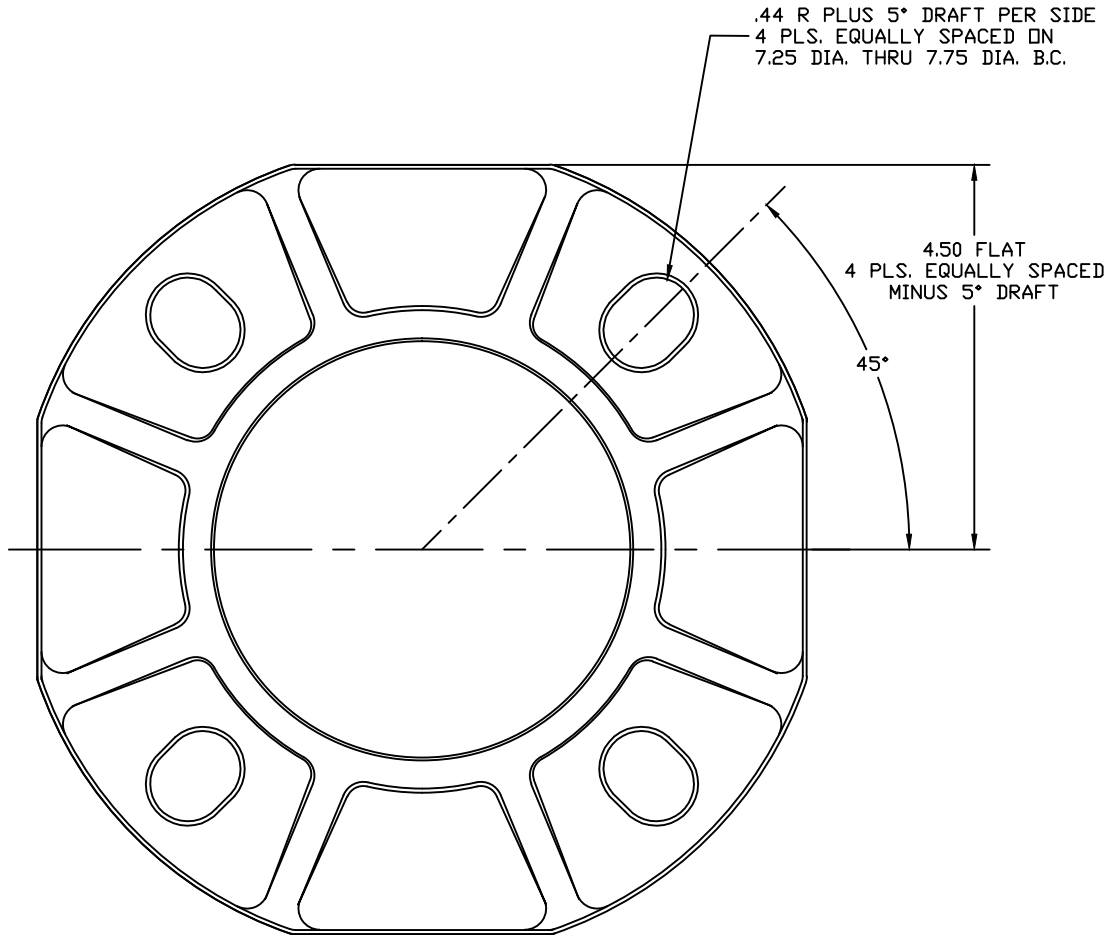


AB-5-S



Akron Foundry Company

5" ANCHOR BASE

-S (MACHINED I.D.)
12/21/98 | L. YERGIN

AB-5-S JOB# 7334-S

PAGE 3A