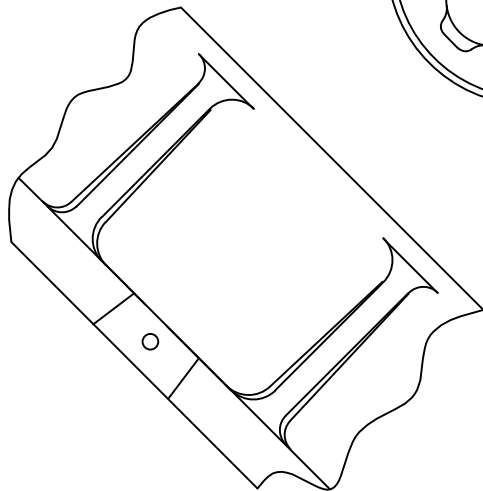
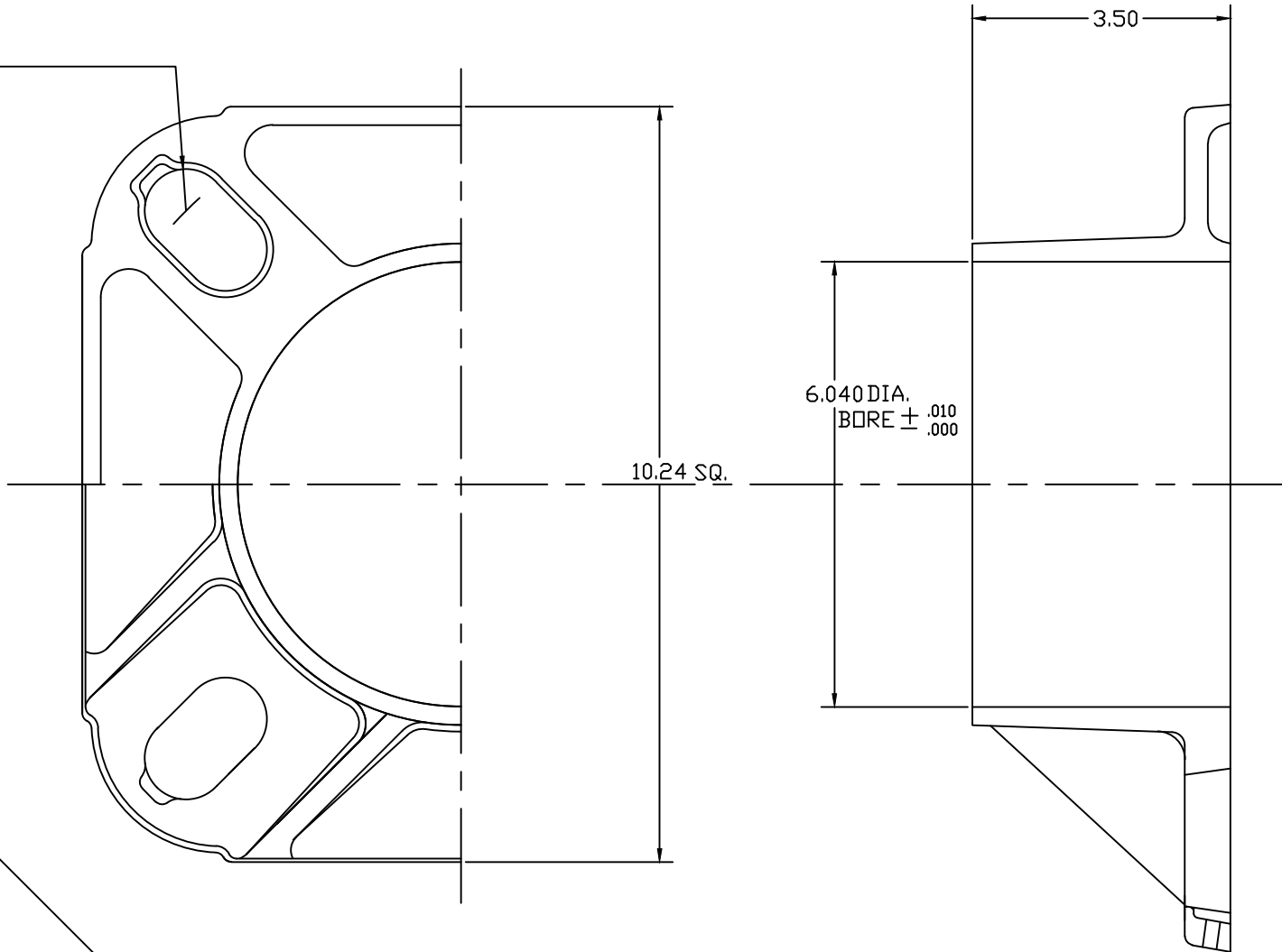


Z661-9

R0.56
PLUS 8° DRAFT
PER SIDE
(4) PLS
EQ. SPACED ON
9.00 TO 10.50
DIA. B.C.
2.00 DIA. WASHER
MUST LAY FLAT
ON 10.00 B.C.
TYP



| | | |
|----------------------------|--------|----------------|
| AKRON FOUNDRY COMPANY | | |
| 6" ANCHOR BASE / 10.5 B.C. | | |
| 9-1-92 | 356 T6 | 6"-1992 X 10.5 |
| FULL | | |