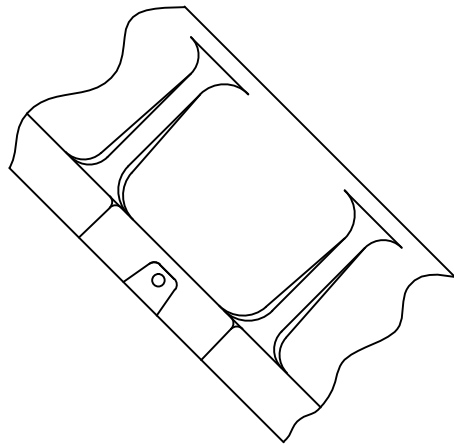
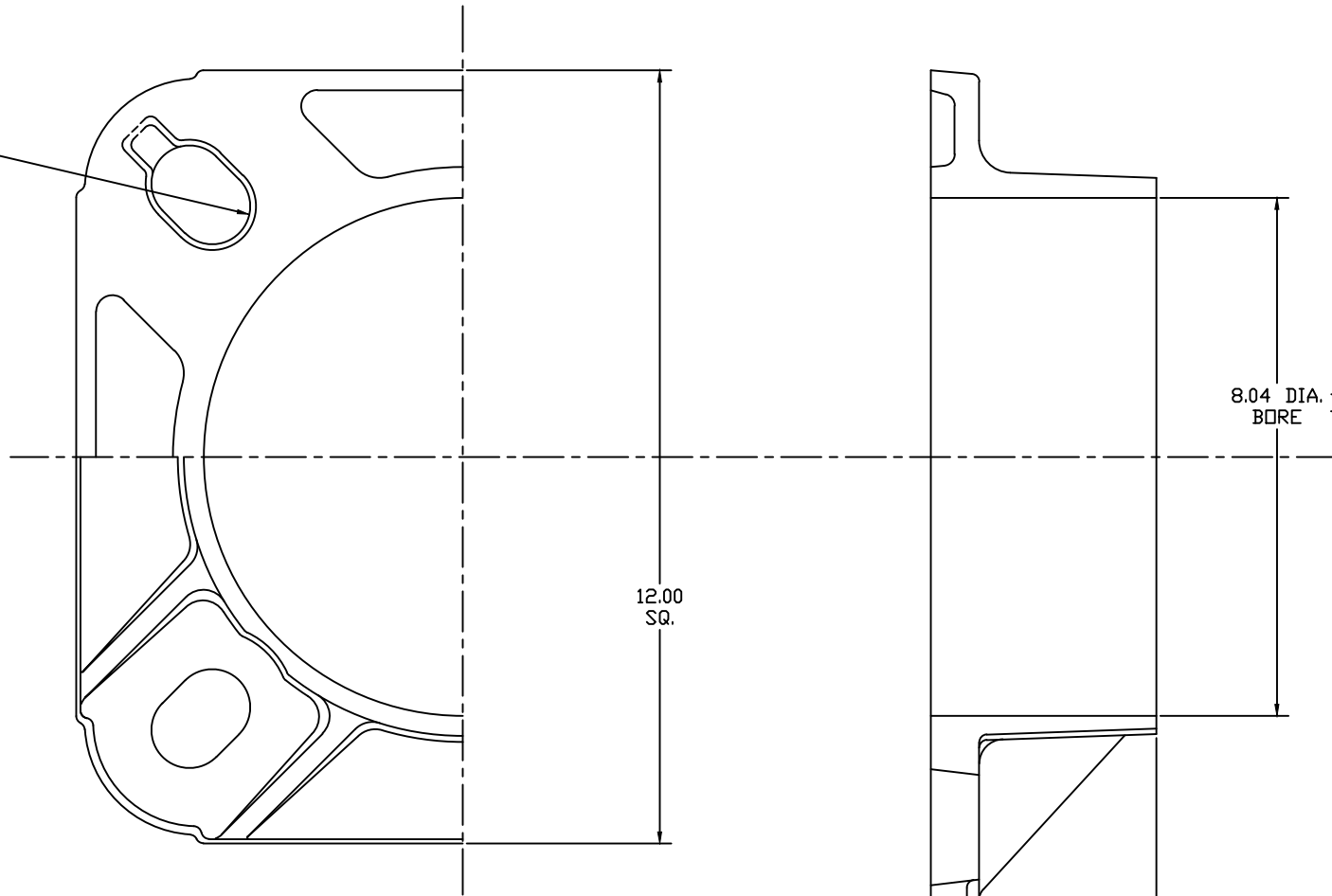


2661-8

.65 R TYP
PLUS 7° DRAFT PER SIDE
4 PLS. EQUALLY SPACED
ON 11.00 THRU 12.00 DIA. B.C.
2.00 DIA. WASHER MUST LAY
FLAT ON 11.00 B.C.



JOB# 2264-S

AKRON FOUNDRY COMPANY			
8" ANCHOR BASE			
11-3-00	356 T6		
FULL	IL YERGIN	8-1992-S	

PAGE 9A