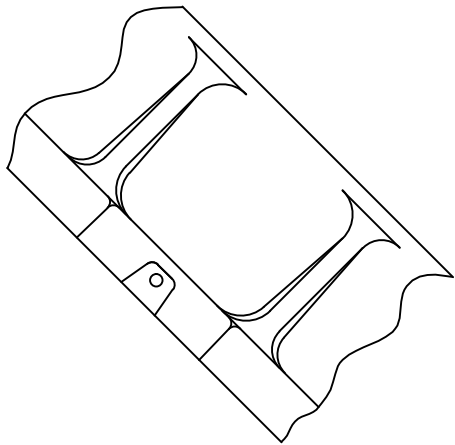
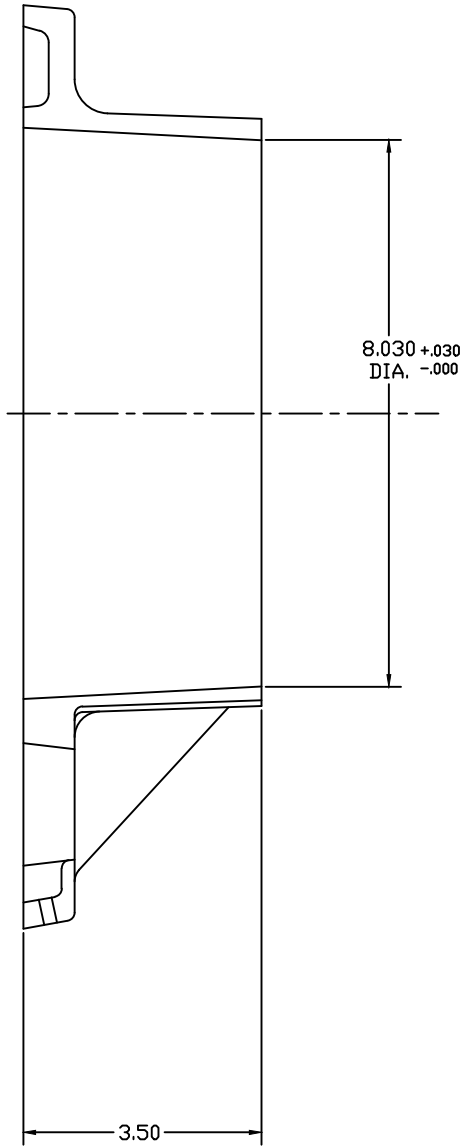
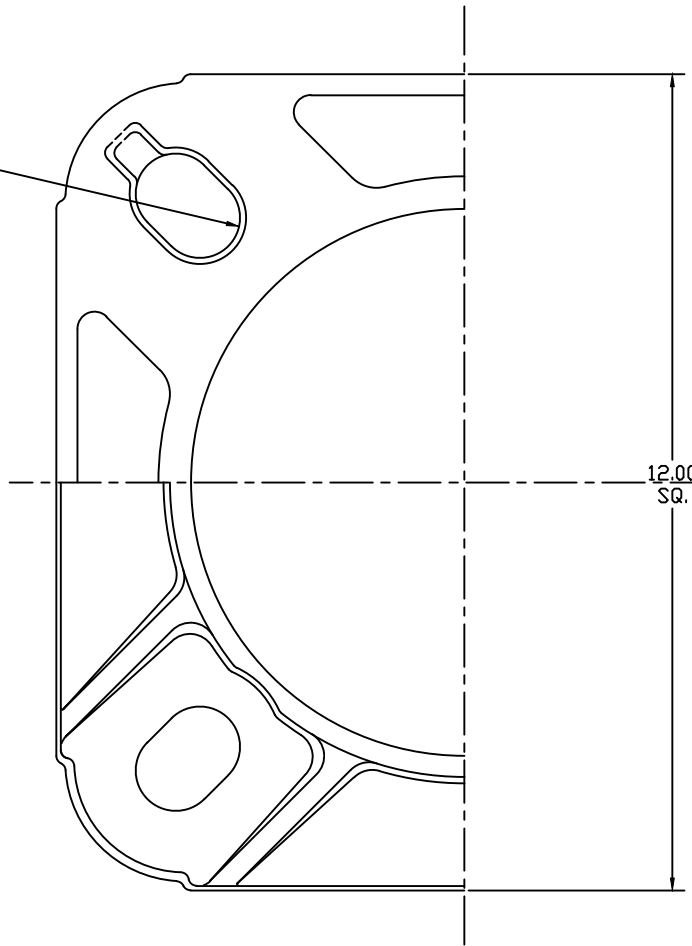


2661-8

.65 R TYP  
PLUS 7° DRAFT PER SIDE  
4 PLS. EQUALLY SPACED  
ON 11.00 THRU 12.00 DIA. B.C.  
2.00 DIA. WASHER MUST LAY  
FLAT ON 11.00 B.C.



JOB# 8-1992-T

AKRON FOUNDRY COMPANY	
8" ANCHOR BASE	
11-3-00	356 T6
FULL	IL YERGIN
8-1992-T	