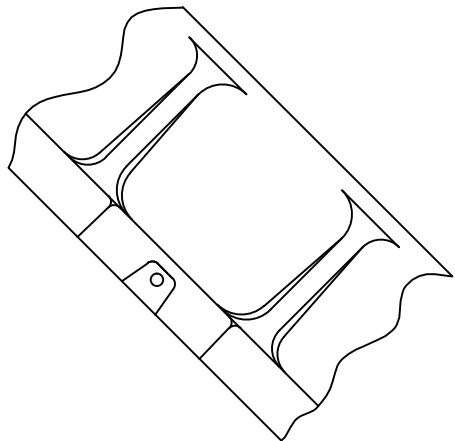
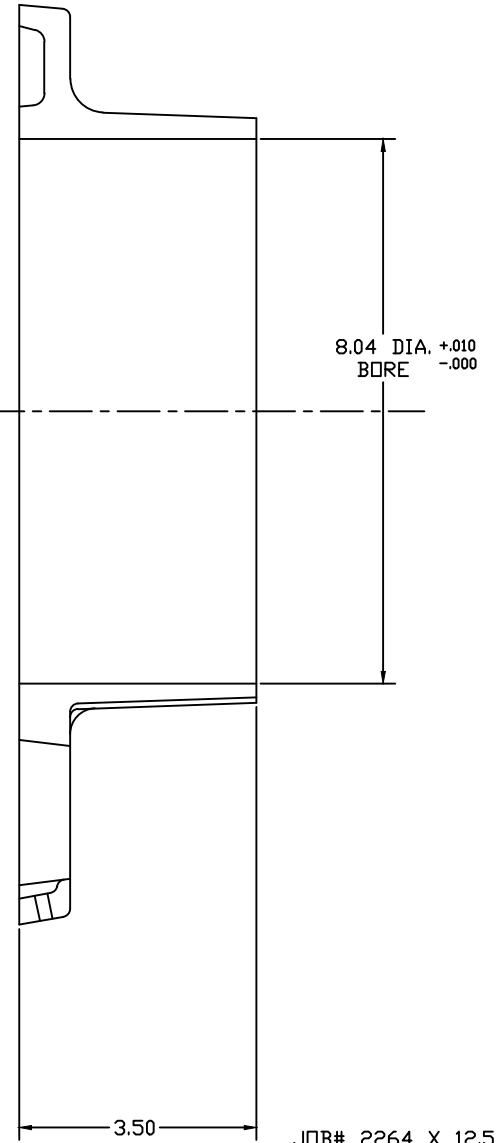
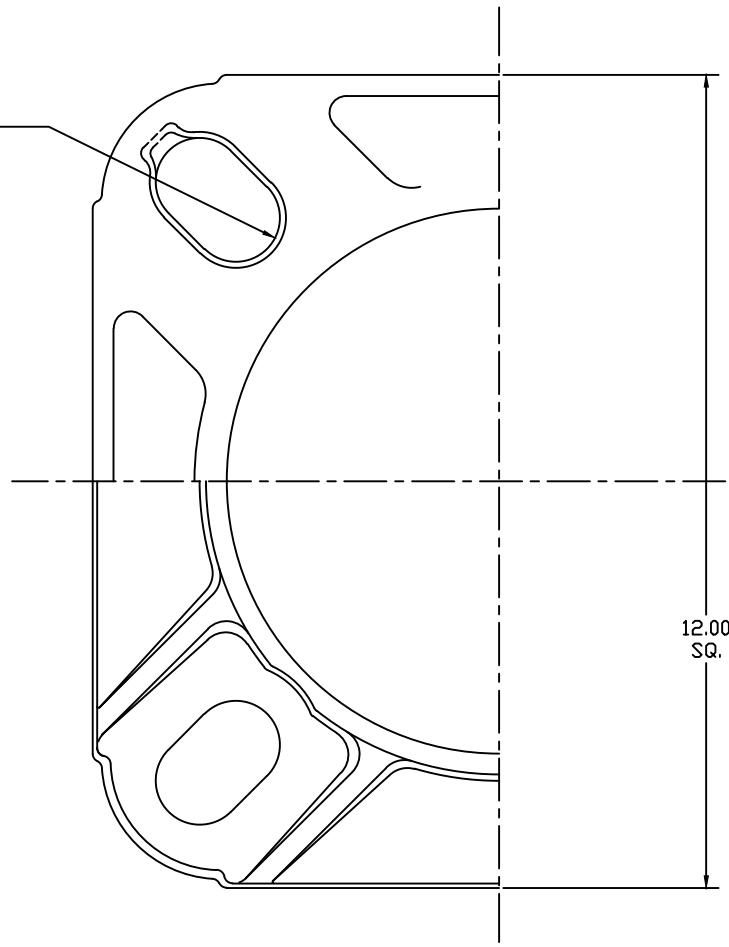


8-1992 X 12.5

.65 R TYP
PLUS 7° DRAFT PER SIDE
4 PLS. EQUALLY SPACED
DN 11.00 THRU 12.50 DIA. B.C.
(< 12.50 DIA. B.C. IS A
SPECIAL BOLT CIRCLE)
2.00 DIA. WASHER MUST LAY
FLAT DN 11.00 B.C.



JOB# 2264 X 12.5

AKRON FOUNDRY COMPANY	
8" ANCHOR BASE	
JOB# 2264-S X 12.5	JOB# 2264-T X 12.5
9-14-06 356 T6	
FULL L YERGIN	8-1992 X 12.5