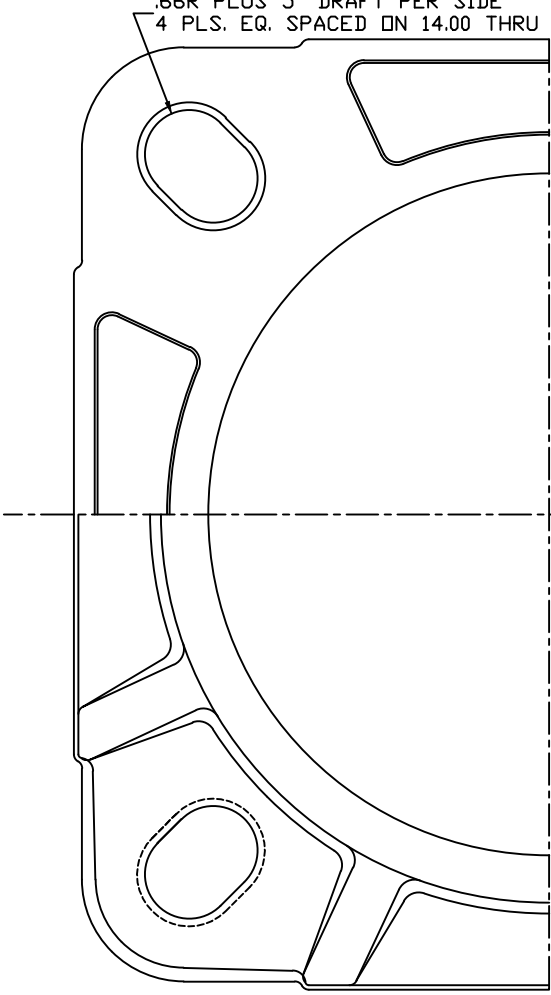


VERIFIED 3-29-03

S-01-BV

.66R PLUS 5° DRAFT PER SIDE
4 PLS. EQ. SPACED ON 14.00 THRU 15.00 DIA. B.C.



14.00
SQ.

4.37 ±.03



10.045 DIA. ±.010
BORE

JOB# 2159-S

AKRON FOUNDRY COMPANY		
10" CAST ANCHOR BASE		
STRAIGHT CORE		
2-22-99	356 T6	AB-10-S
FULL	IL YERGIN	

PAGE 23A

RECOMMENDED BOLT - 1/4-20 N.C. X 5/8 LG. STAINLESS STEEL PLAIN HEX WASHER HEAD TYPE