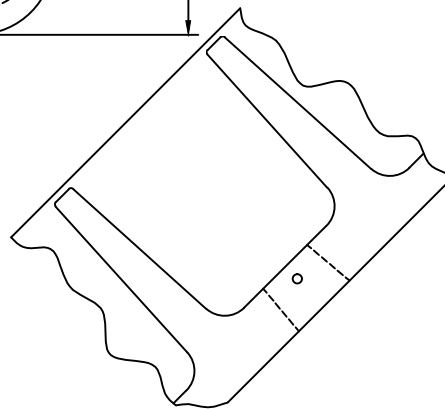
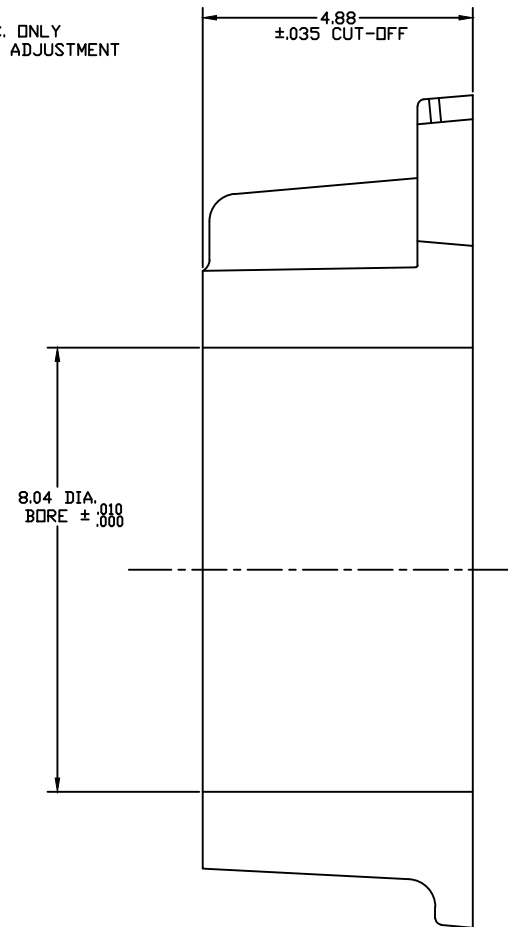
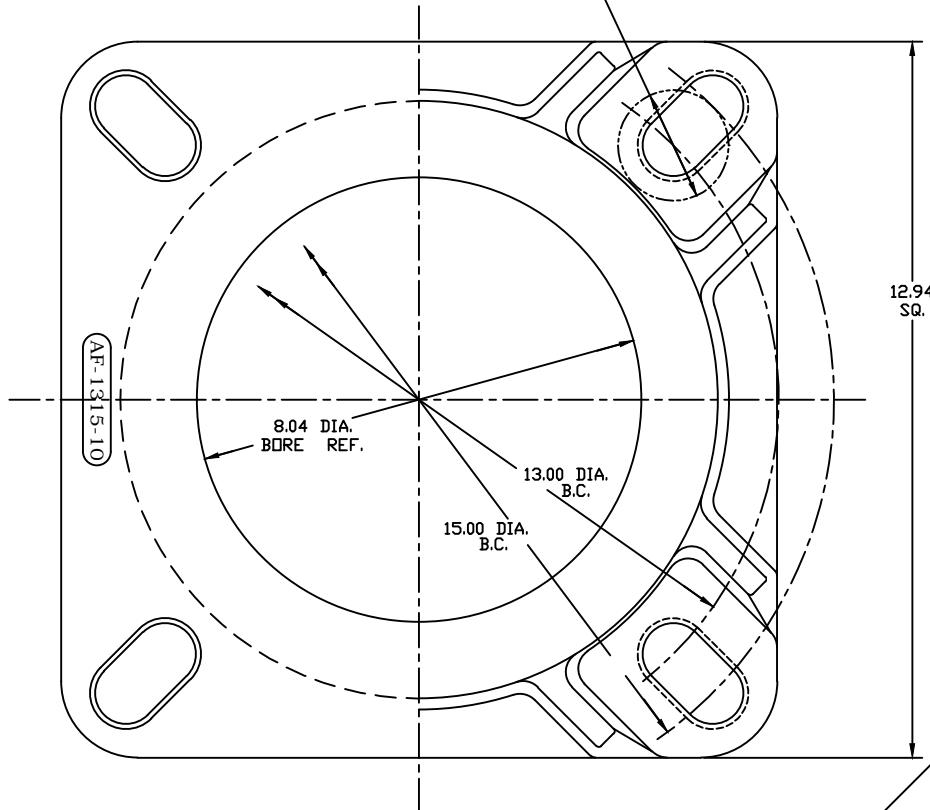


8-2661-01

2" DIA. D.D. WASHER TO BE USED ON 13.00 DIA. B.C. ONLY
FOR 15.00 DIA. B.C. & FOR USE AS BOTTOM ANCHOR ADJUSTMENT
USE STANDARD 2 3/4 DIA. D.D. WASHERS



JOB# 2299

AKRON FOUNDRY COMPANY		
10" ANCHOR BASE / 8" BORE		
1" ANCHOR BOLT APPLICATIONS		
5-9-01	356 T6	10-1992-8
FULL	L. YERGIN	< OLD STYLE 10" BASE >