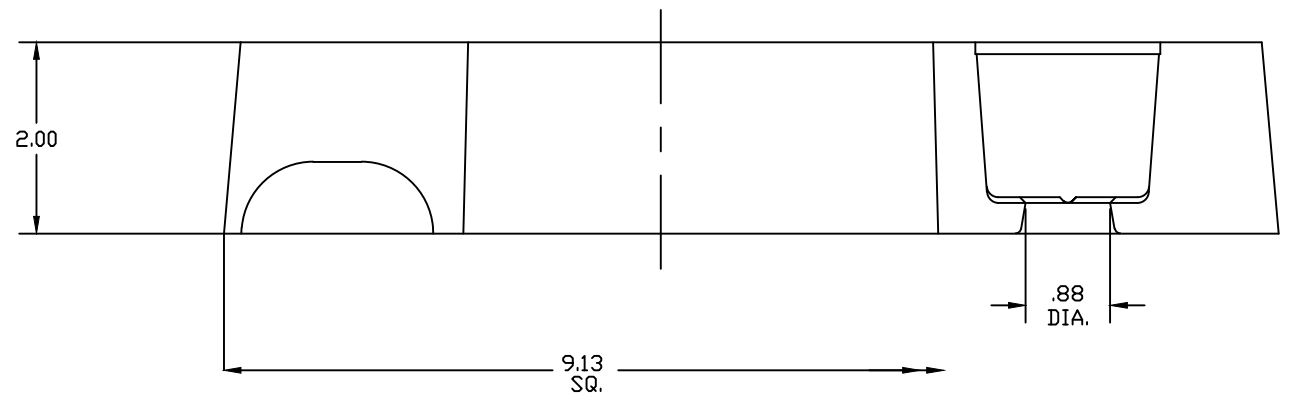
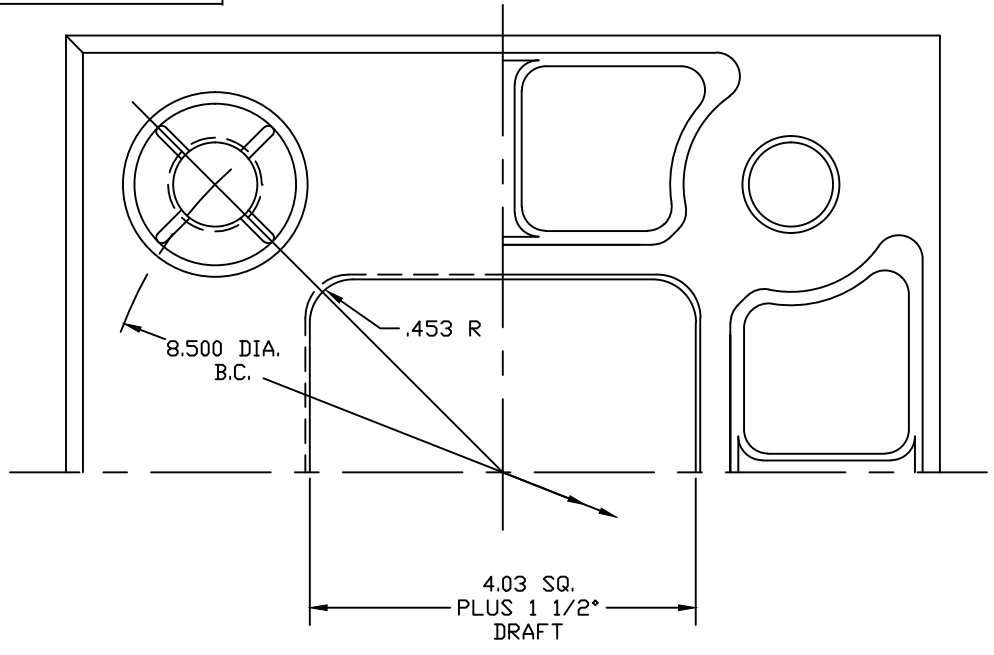


4" SQ. 2728 - RADIUS



MACHINE CORNER POCKETS TO ACCEPT P.F.
SIZE "A" VANDAL COVER

4.03 INSIDE SQUARE TO BE DIE TRIMMED

JOB #1043-RADIUS

4" SQUARE BASE - RADIUS	
MATERIAL 356 T6	4" SQ-2728 - RADIUS
3/23/01	L. YERGIN

PAGE 34B