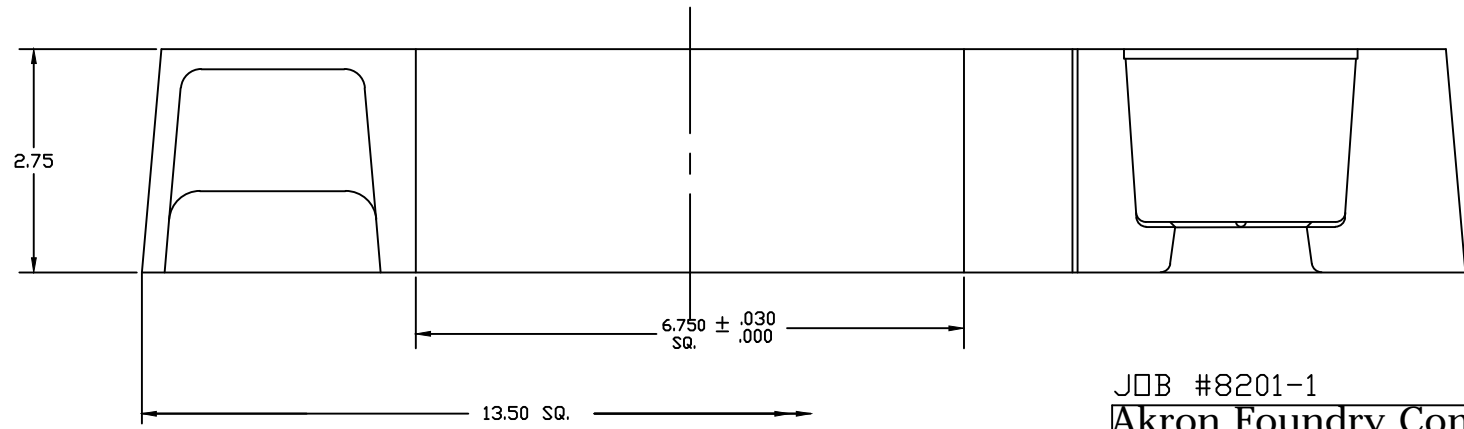
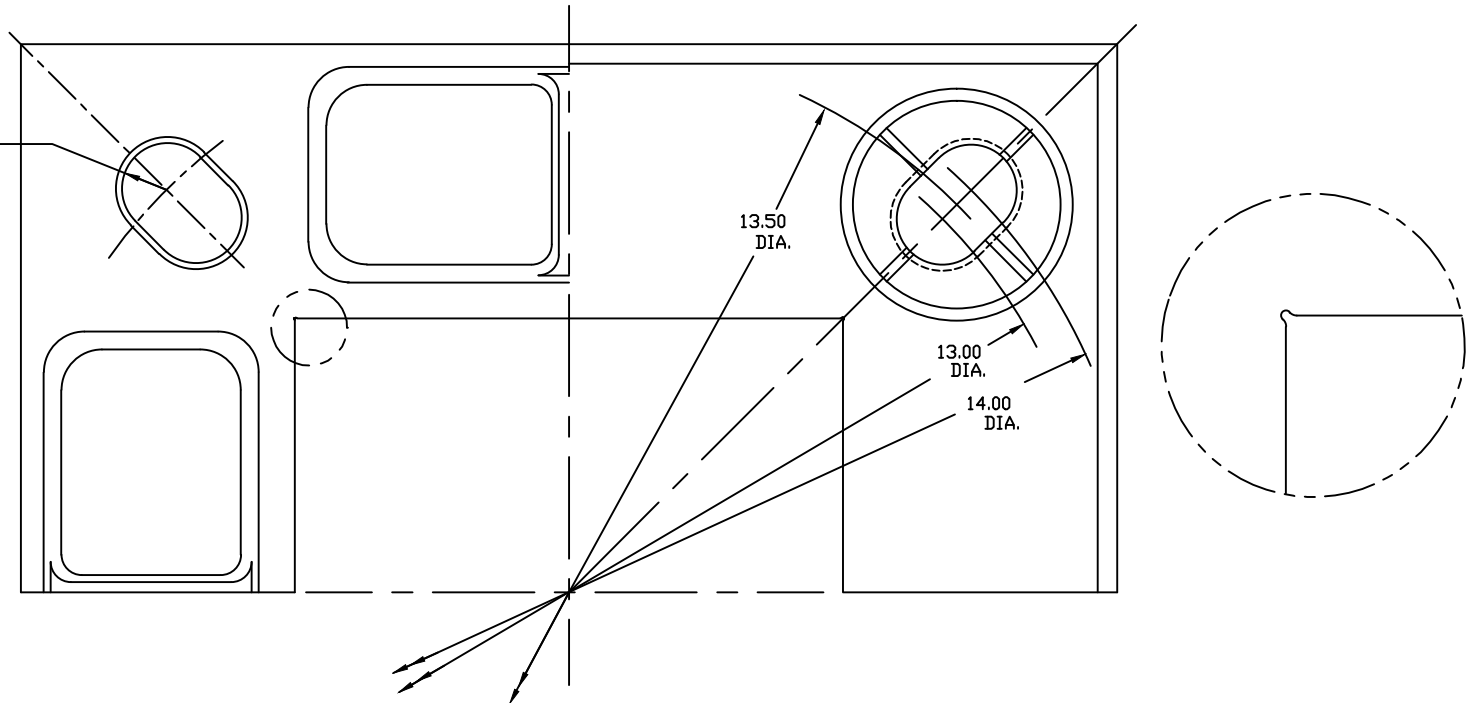


.56R TYP.  
PLUS 4°  
DRAFT  
PER SIDE



MACHINE CORNER POCKETS TO ACCEPT P.F.  
SIZE "D" VANDAL COVER

JOB #8201-1

**Akron Foundry Company**

6 3/4" SQ. BASE (SLOTTED)-SHARP

MATERIAL 356 T6

1-28-09 | L. YERGIN

6 3/4" SQ 2728-S