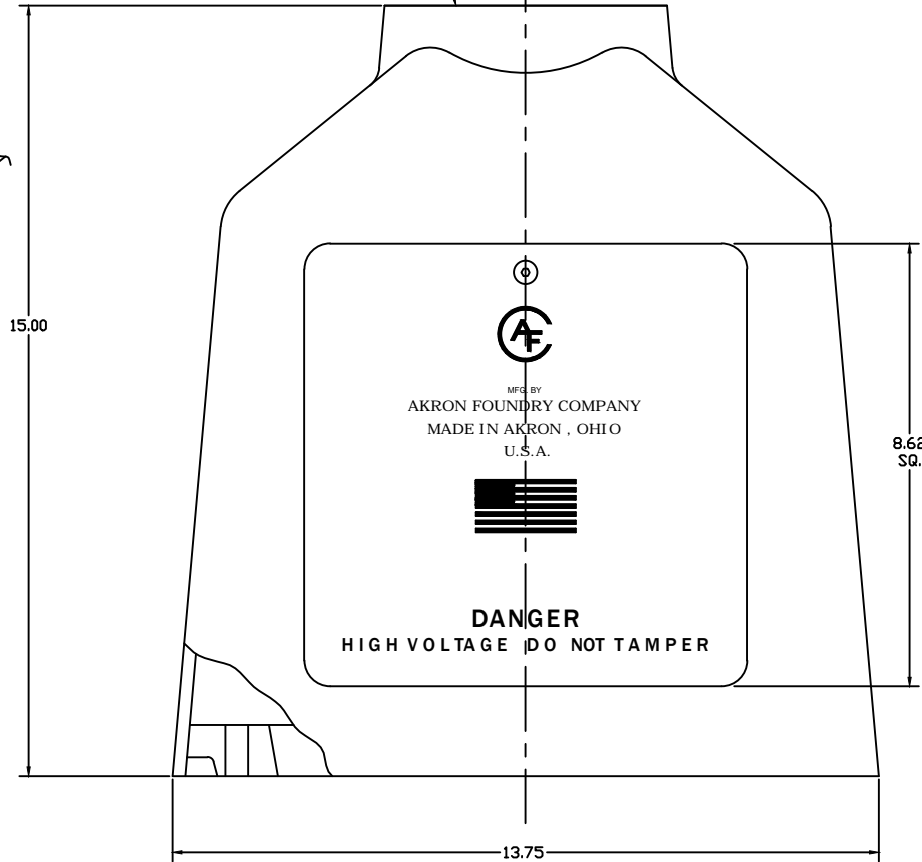
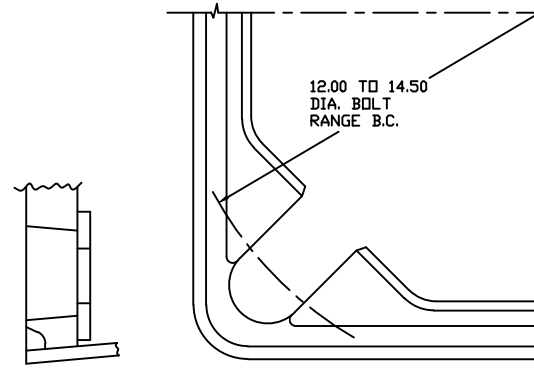


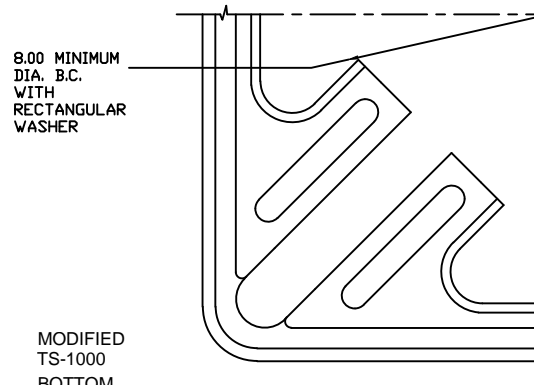
4" N.P.T.  
THRU



TS-1000  
TOP & DOOR  
JOB# 2327 JOB# 8699



STANDARD  
TS-1000  
BOTTOM  
JOB# 8698



8.00 MINIMUM  
DIA. B.C.  
WITH  
RECTANGULAR  
WASHER

MODIFIED  
TS-1000  
BOTTOM  
JOB# 8745

**AKRON FOUNDRY COMPANY**

TS-1000 ASS'Y ----- JOB# 2328

TS-1000 MODIFIED ASS'Y - JOB# 2328-MODIFIED

8-5-09	REDRAWN	TRAFFIC SIGNAL
FULL	L YERGIN	PEDESTAL BASE