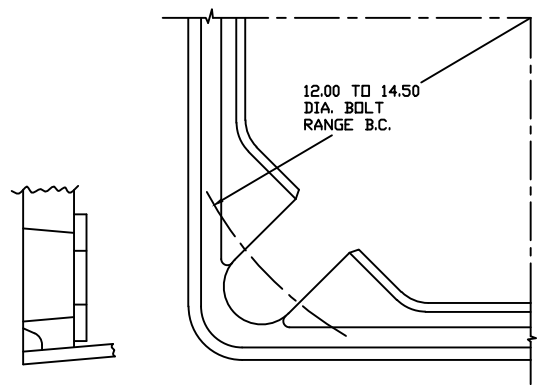
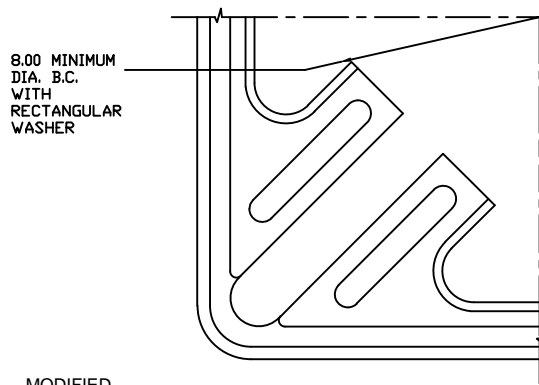


TS-1000-L  
TOP & DOOR  
JOB# 2327 JOB# 8699



STANDARD  
TS-1000-L  
BOTTOM  
JOB# 8698



8.00 MINIMUM  
DIA. B.C.  
WITH  
RECTANGULAR  
WASHER

MODIFIED  
TS-1000-L  
BOTTOM  
JOB# 8745

CAUTION: THIS BASE DESIGN REQUIRES CONCENTRICITY OF POLE O.D. & THREAD WITHIN .010 T.I.R. AS SUPPLIED BY AKRON FOUNDRY

AKRON FOUNDRY COMPANY		
TS-1000-L ASS'Y -----		JOB# 2328-L
TS-1000-L MODIFIED ASS'Y -- JOB# 2328-L-MODIFIED		
8-5-09	REDRAWN	TRAFFIC SIGNAL
FULL	L YERGIN	PEDESTAL BASE