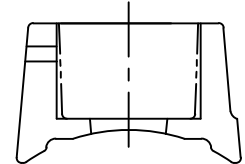
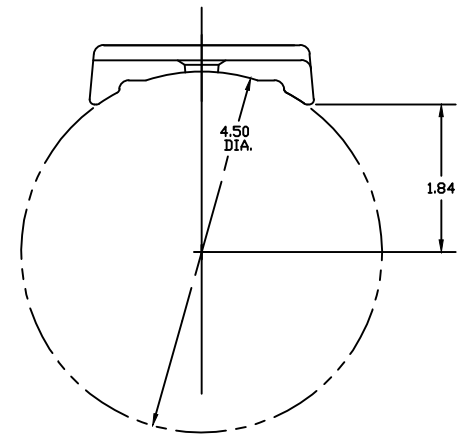


DRILL & TAP
1.19 DEEP FOR
1 1/2 - 11 1/2
NPSM THREAD



UNIVERSAL THREADED HUB PLATE - 4

MATERIAL: 356 T6 ALUMINUM
STAINLESS STEEL WHEELABRATED

JOB# 9305

AKRON FOUNDRY COMPANY		
UNIVERSAL THREADED		
HUB PLATE - 4		
10-26-09	FULL	1000 - 10
	I. YERGIN	