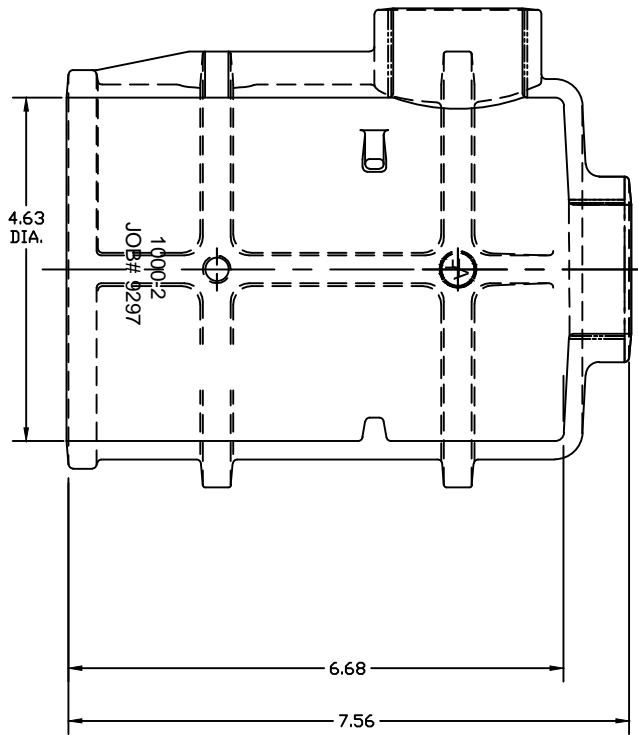
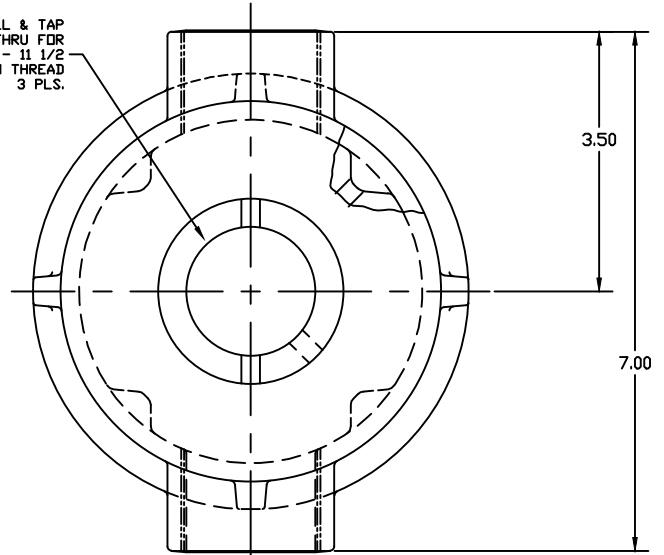


MATERIAL: 356 T6 ALUMINUM ALLOY / STAINLESS STEEL WHEELABRATED

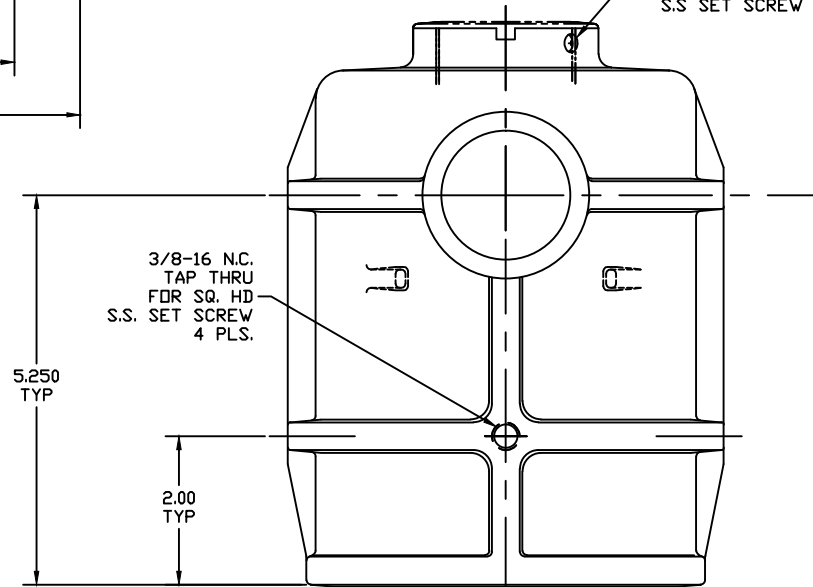


DRILL & TAP  
THRU FOR  
1 1/2 - 11 1/2  
NPSM THREAD  
3 PLS.



1/4-20 N.C.  
TAP THRU  
FOR SQ. HD.  
S.S. SET SCREW

3/8-16 N.C.  
TAP THRU  
FOR SQ. HD.  
S.S. SET SCREW  
4 PLS.



DOUBLE SLIP FITTER - 4"  
PAINT: FEDERAL GLOSS BLACK # 17038  
OR YELLOW GLOSS YELLOW # 3507

JOB# 9297

AKRON FOUNDRY COMPANY		
DOUBLE SLIP FITTER - 4"		
8-13-06		1000-2
FULL	L. YERGIN	