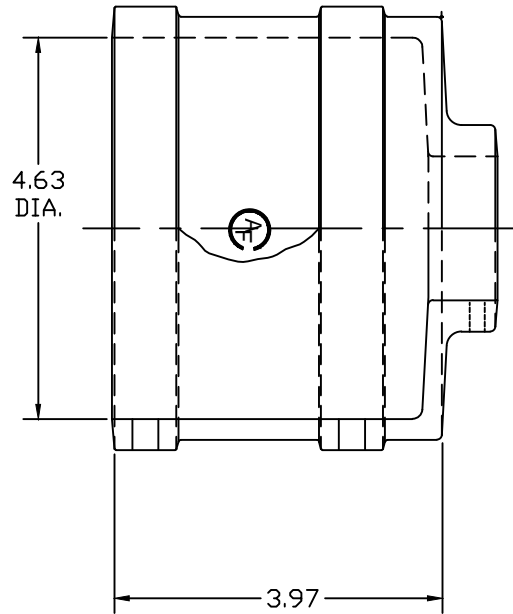


MATERIAL: 356 T6 ALUMINUM ALLOY / STAINLESS STEEL WHEELABRATED



SINGLE SLIP FITTER - 4"

PAINT: FEDERAL GLOSS BLACK # 17038
OR FEDERAL GLOSS YELLOW # 3507

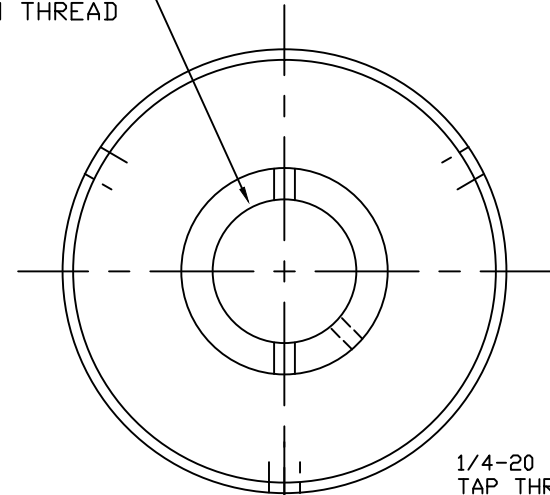
JOB# 9296

AKRON FOUNDRY COMPANY

SINGLE SLIP FITTER - 4"

8-12-06 FULL L. YERGIN 1000-S

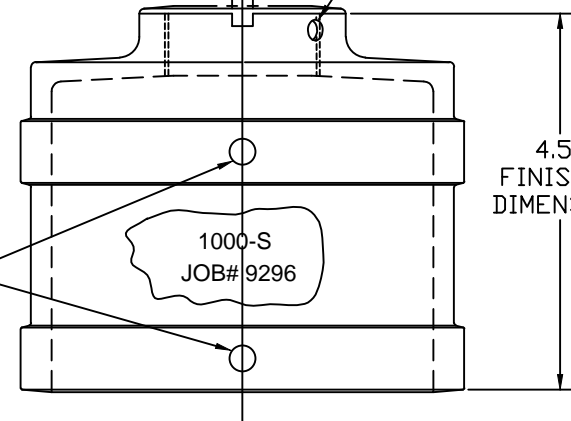
DRILL & TAP
THRU FOR
1 1/2 - 11 1/2
NPSM THREAD



.250 MILLED
SLOT 2 PLS.
EQ. SPACED

1/4-20 N.C.
TAP THRU
FOR SQ. HD.
S.S. SET SCREW

3/8-16 N.C.
TAP THRU
FOR SQ. HD.
S.S. SET SCREW
(6) 3 PLS.
EQ. SPACED



4.50
FINISHED
DIMENSION