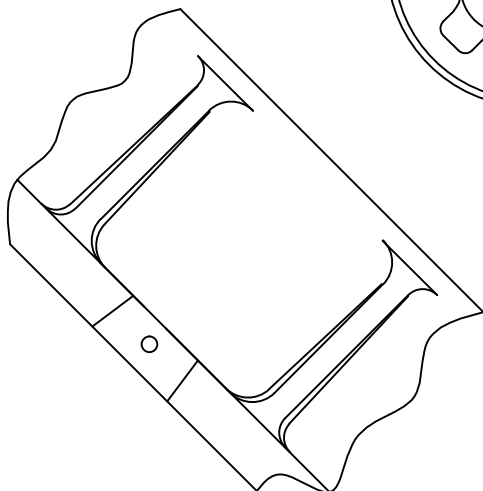
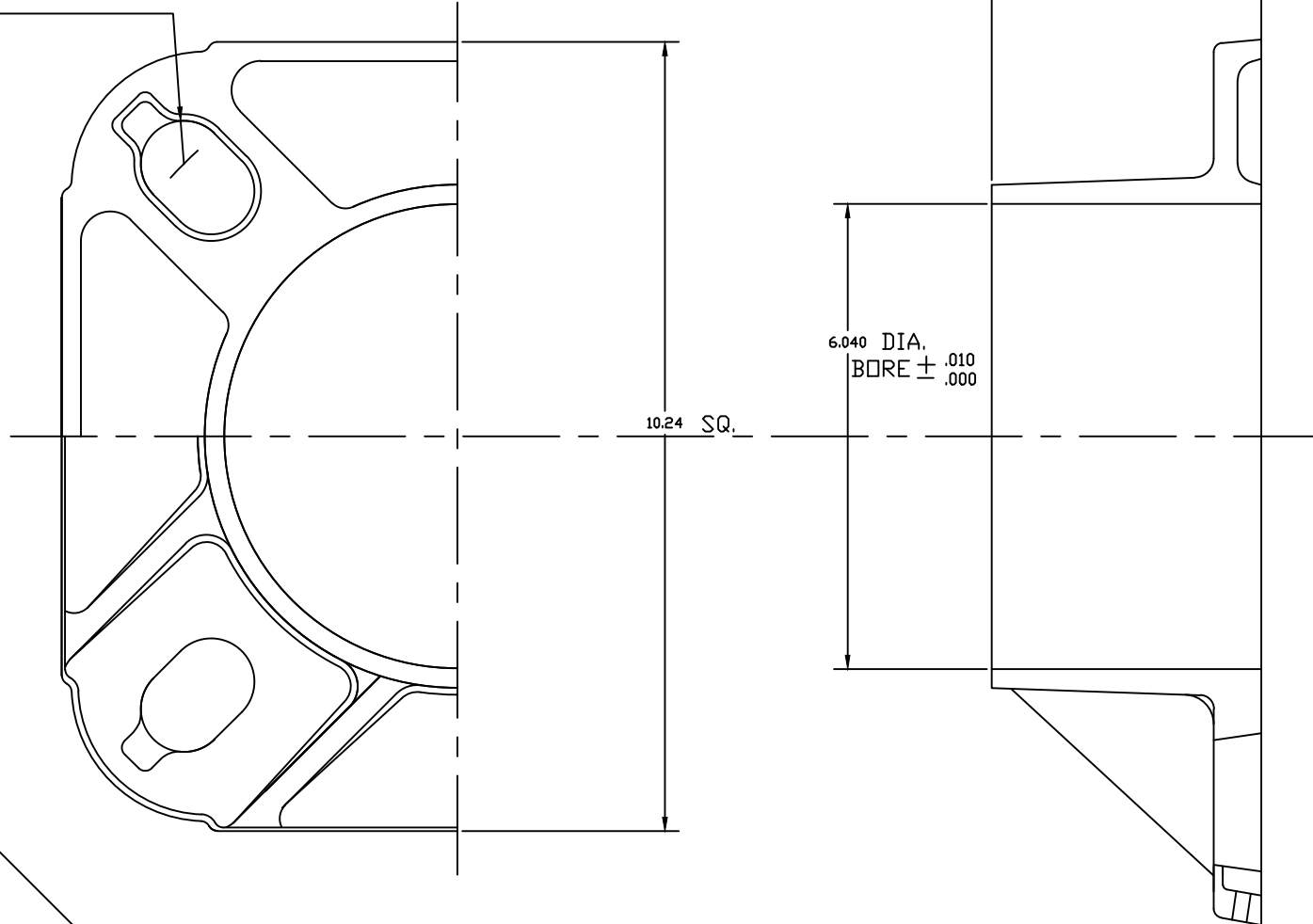


Z661-119

R0.56
PLUS 8° DRAFT
PER SIDE
(4) PLS
EQ. SPACED ON
9.00 TO 10.00
DIA. B.C.
2.00 DIA. WASHER
MUST LAY FLAT
ON 10.00 B.C
TYP



JOB# 8203-S

AKRON FOUNDRY COMPANY

6" ANCHOR BASE

9-1-92	356 T6
FULL	

6-1992-S