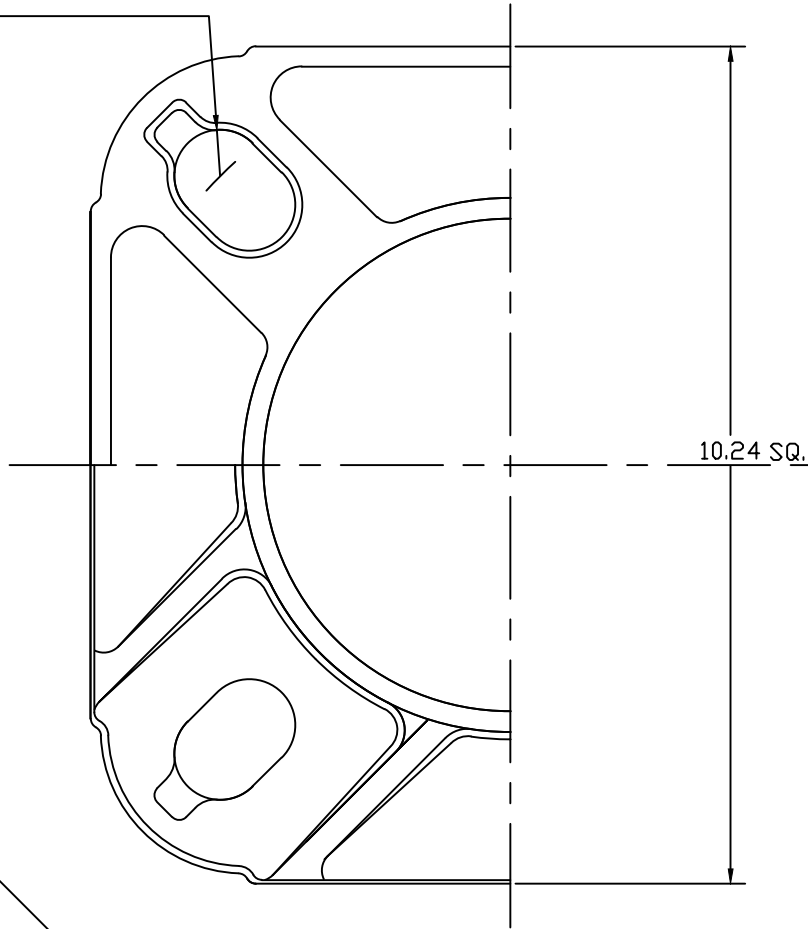
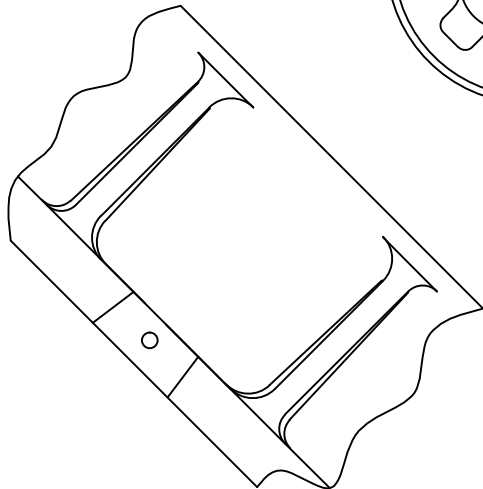
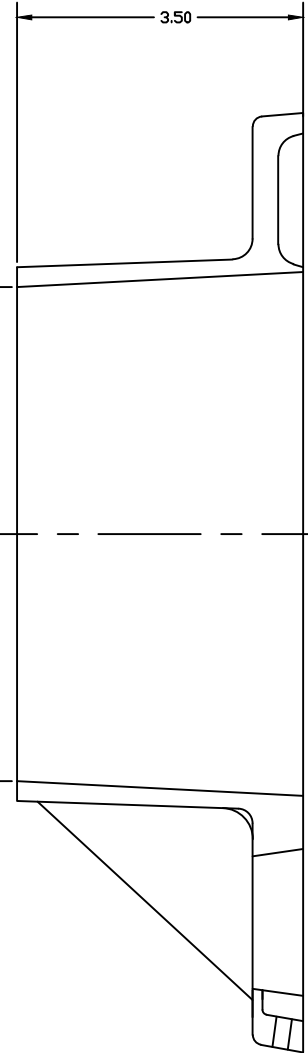


6"-1992-T

R0.56
PLUS 8° DRAFT
PER SIDE
(4) PLS
EQ. SPACED ON
9.00 TO 10.00
DIA. B.C.
2.00 DIA. WASHER
MUST LAY FLAT
ON 10.00 B.C
TYP



6.030 DIA.
+3° DFT.
PER SIDE



JOB# 8203-T

AKRON FOUNDRY COMPANY

6" ANCHOR BASE

9-1-92	356 T6
FULL	

6-1992-T