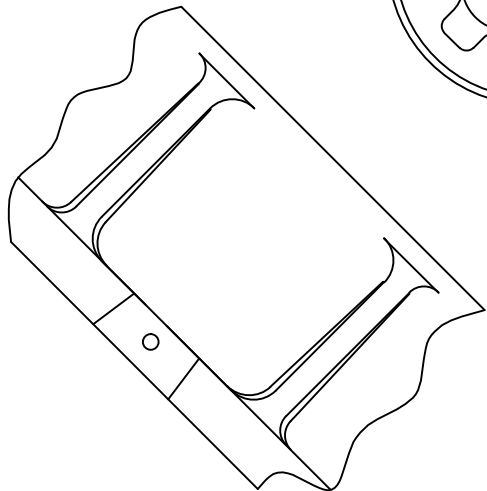
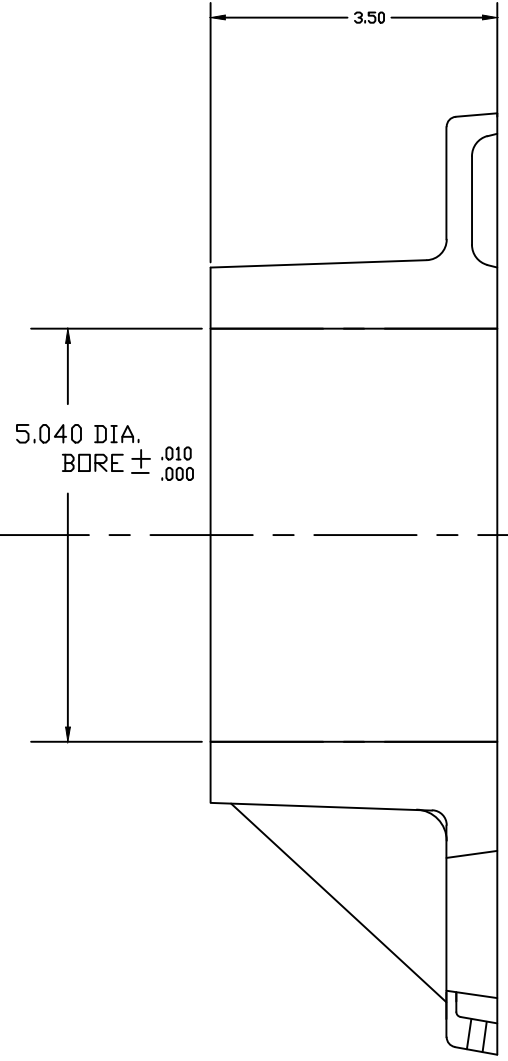
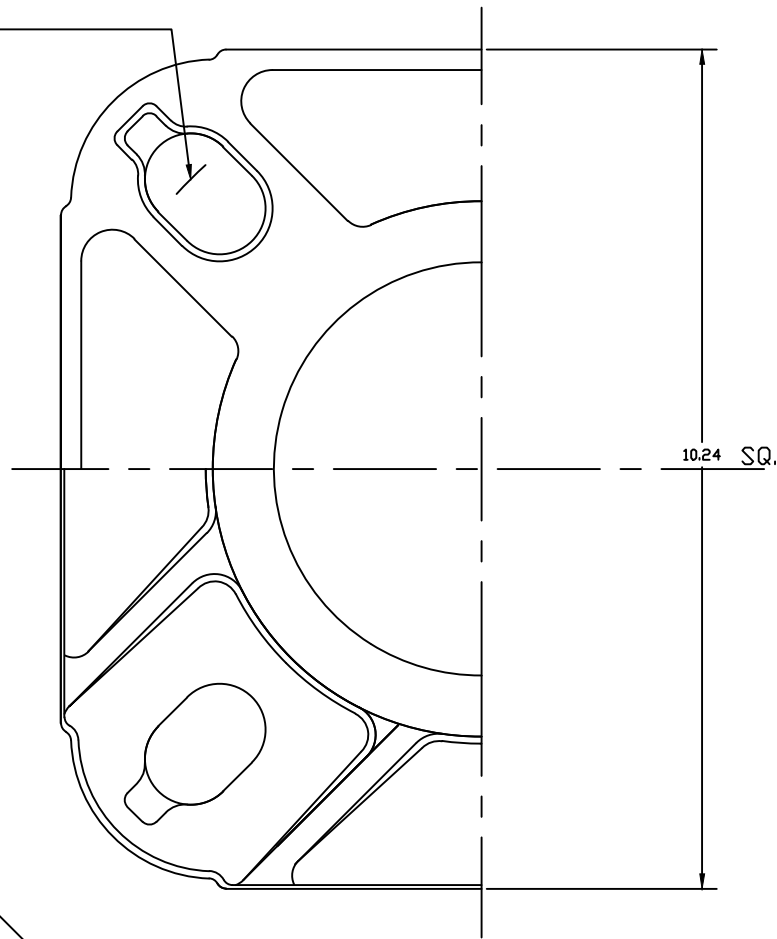


6-1992-5

R0.56
PLUS 8° DRAFT
PER SIDE
(4) PLS
EQ. SPACED ON
9.00 TO 10.00
DIA. B.C.
2.00 DIA. WASHER
MUST LAY FLAT
ON 10.00 B.C.
TYP



JOB# 8203-5

AKRON FOUNDRY COMPANY		
6" ANCHOR BASE WITH 5.040 BORE		
9-1-92	356 T6	6-1992-5
FULL		

PAGE 6D