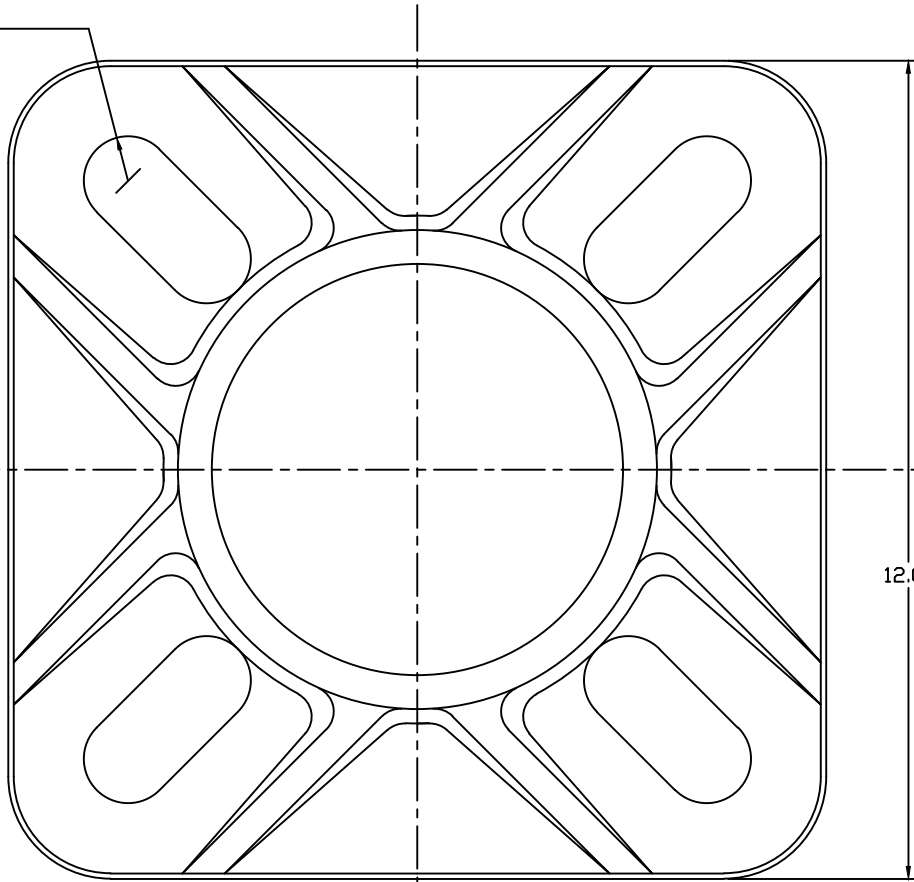


6" HEAVY DUTY / 8.75-12

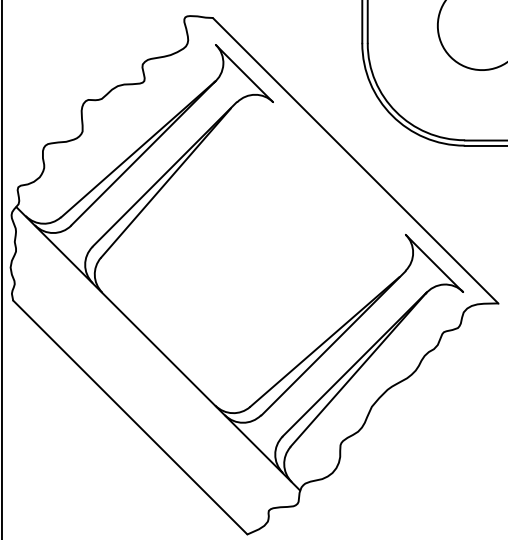
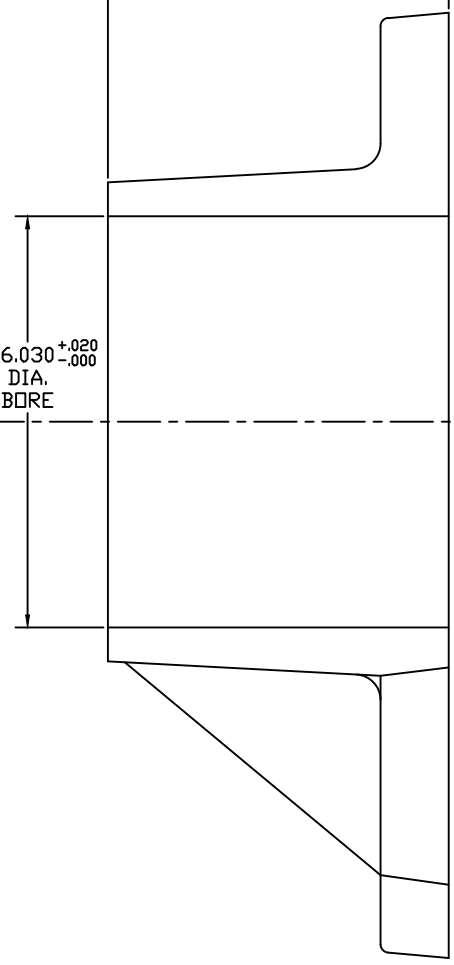
.65 R TYP
PLUS 7° DRAFT PER SIDE
4 PLS. EQUALLY SPACED
ON 8.75 THRU 12.00 DIA. B.C.



6.030 ^{+0.020}
DIA.
BORE

12.00

5.00



JOB# 9185

AKRON FOUNDRY COMPANY		
6" HEAVY DUTY ANCHOR BASE		
7-20-05	356 T6	6" HEAVY DUTY
FULL	IL YERGIN	/ 8.75-12