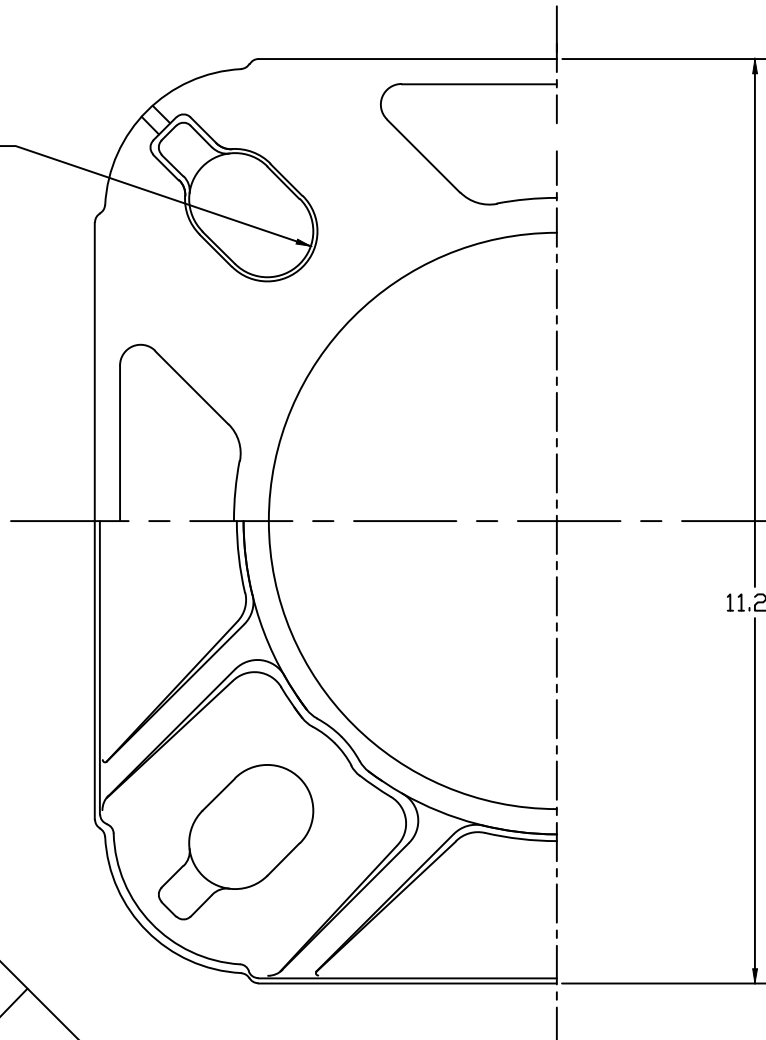
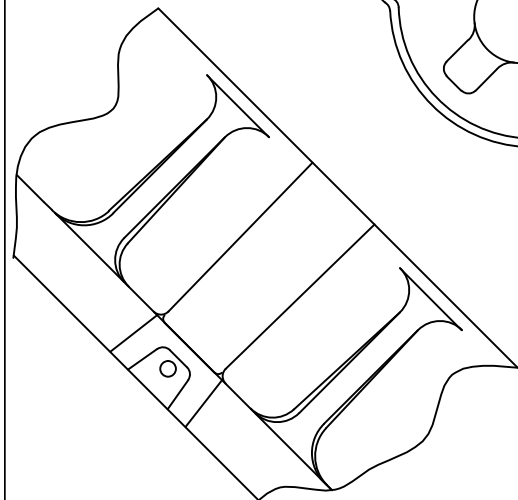


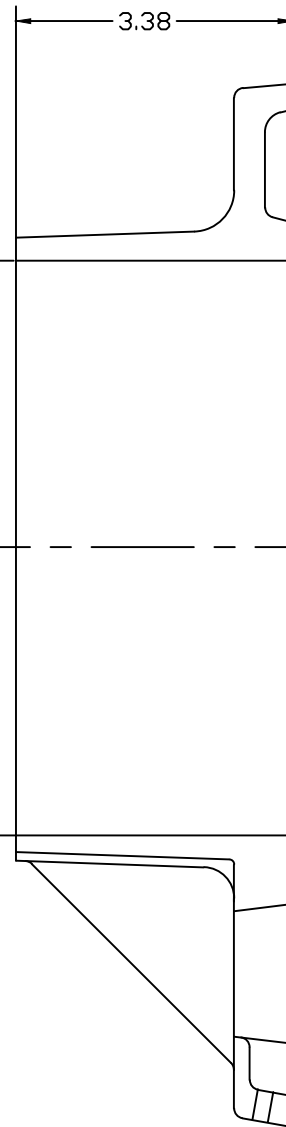
Z661-7

.56 R  
PLUS 7° DRAFT  
PER SIDE  
(4) PLS  
EQ. SPACED ON  
10.00 THRU 11.00  
DIA. B.C.  
2.00 DIA. WASHER  
MUST LAY FLAT  
ON 11.00 B.C.



11.28 SQ.

7.040 DIA.  
BORE ± .010  
      ± .000



3.38

JOB# 2263-S

AKRON FOUNDRY COMPANY		
7" ANCHOR BASE		
9-1-92	356 T6	7-1992-S
FULL		