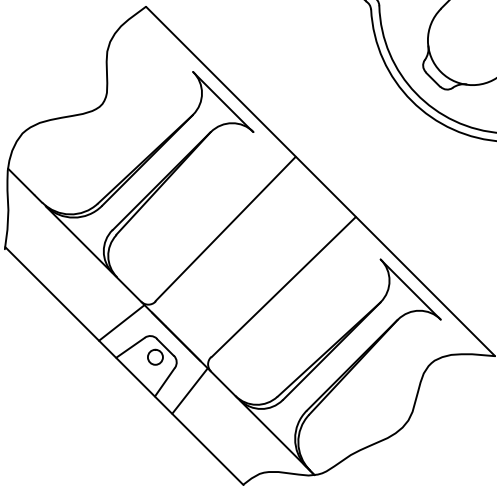
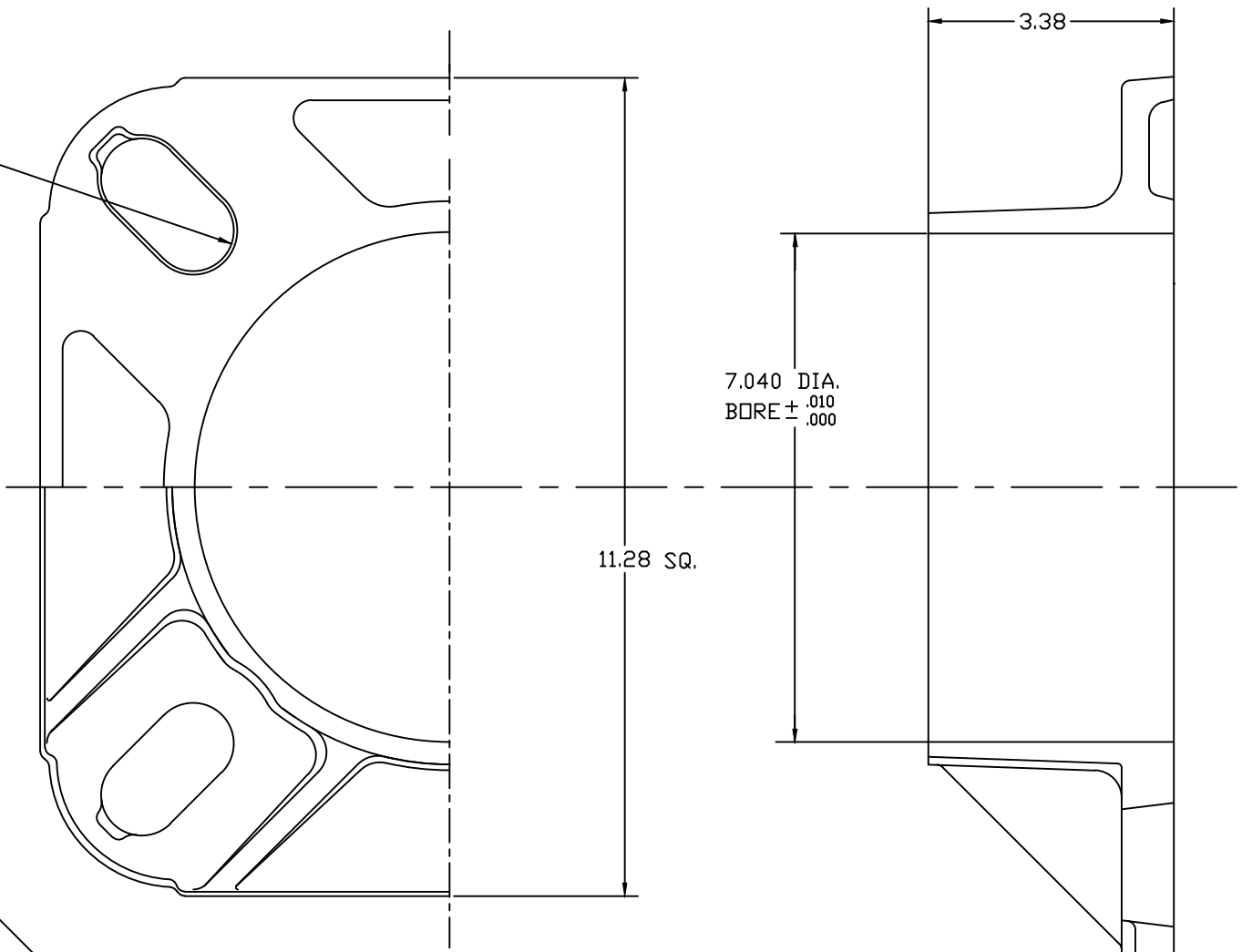


7-1992-12

.56 R
PLUS 7° DRAFT
PER SIDE
(4) PLS
EQ. SPACED DN
10.00 THRU 12.00
DIA. B.C
2.00 DIA. WASHER
MUST LAY FLAT
DN 11.00 B.C.



AKRON FOUNDRY COMPANY		
7" ANCHOR BASE		
9-1-92	356 T6	7-1992-12
FULL		