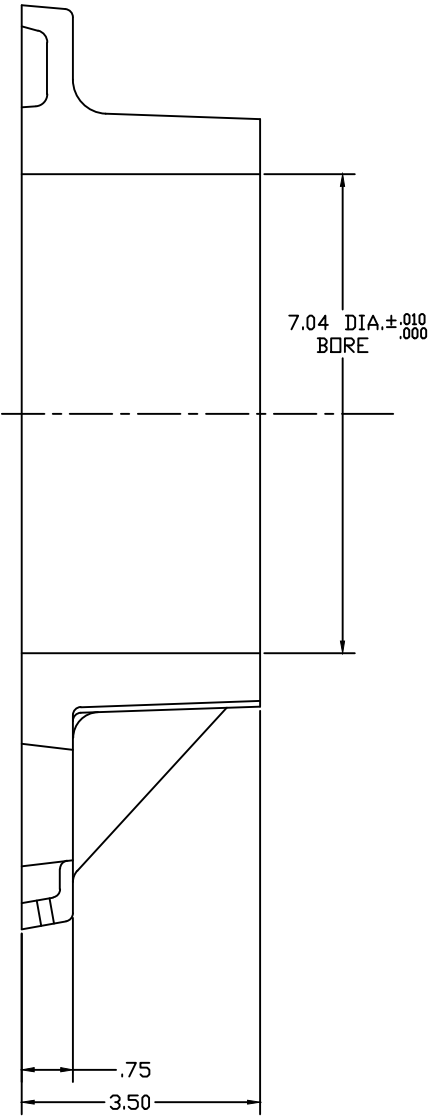
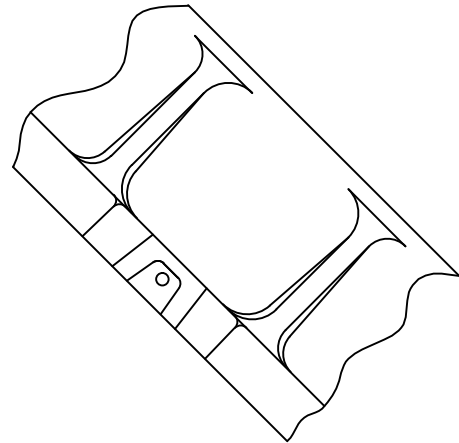
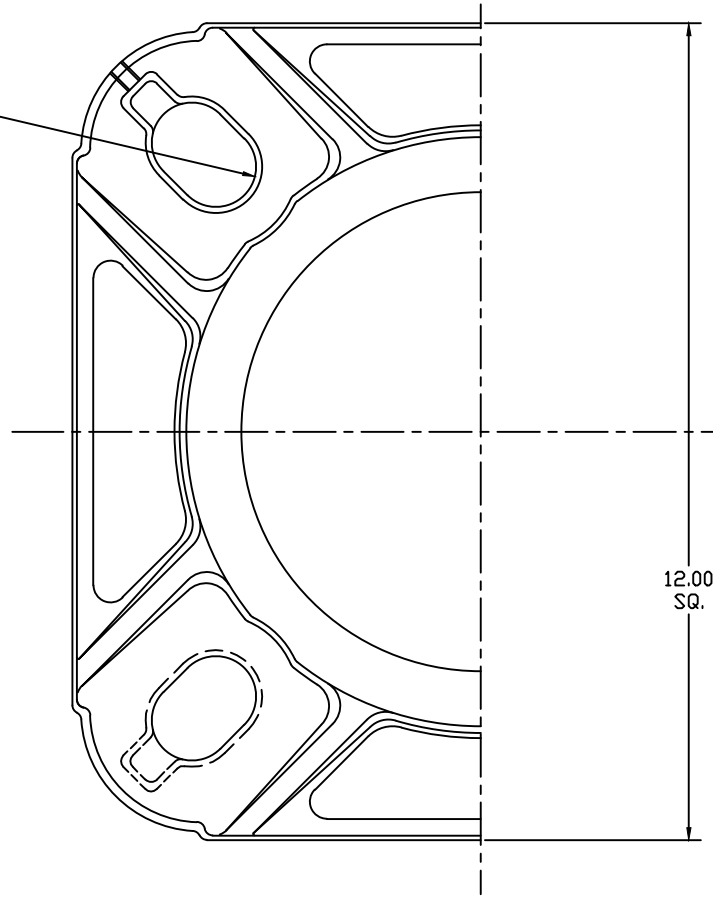


8-1992-7

.65 R TYP  
PLUS 7° DRAFT PER SIDE  
4 PLS. EQUALLY SPACED  
DN 11.00 THRU 12.00 DIA. B.C.  
2.00 DIA. WASHER MUST LAY  
FLAT DN 11.00 B.C.



JOB# 2264-7"

AKRON FOUNDRY COMPANY

8" ANCHOR BASE WITH A 7.040 I.D.

11-3-00 356 T6  
FULL IL YERGIN

8-1992-7