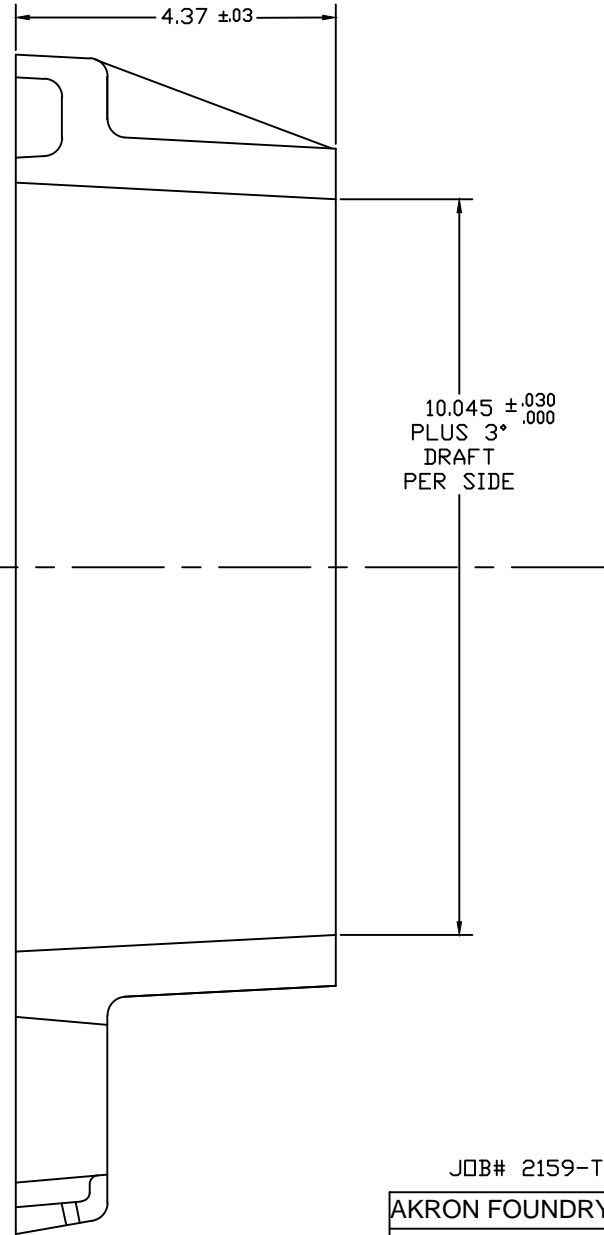
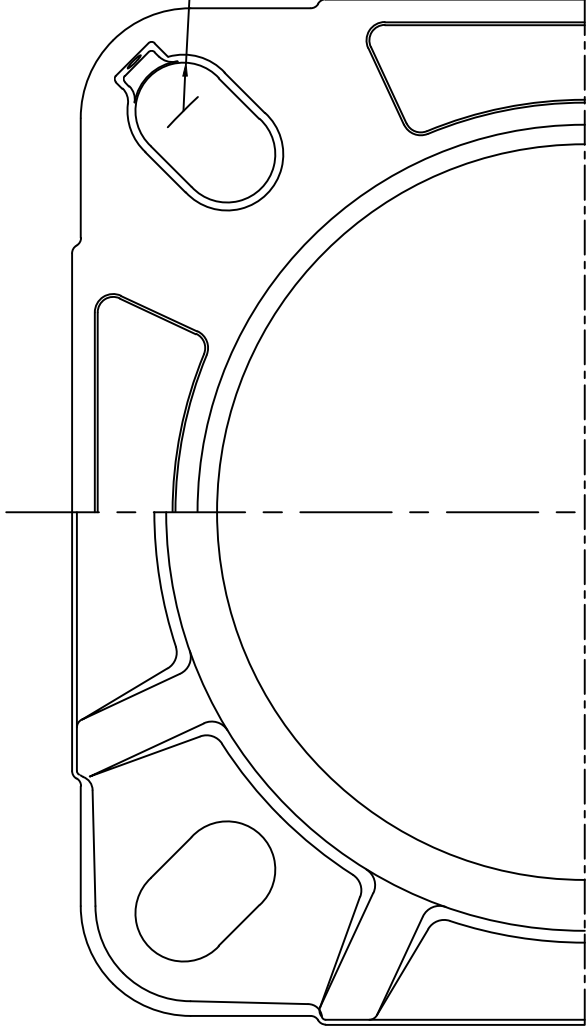


AB-10-T MODIFIED

.66R PLUS 5° DRAFT PER SIDE  
4 PLS. EQ. SPACED ON 13 13/16" THRU 15 1/2" DIA. B.C.



JOB# 2159-T MOD

AKRON FOUNDRY COMPANY

10" CAST ANCHOR BASE

TAPERED CORE

2-9-07	356 T6	AB-10-T - MODIFIED
FULL	L YERGIN	