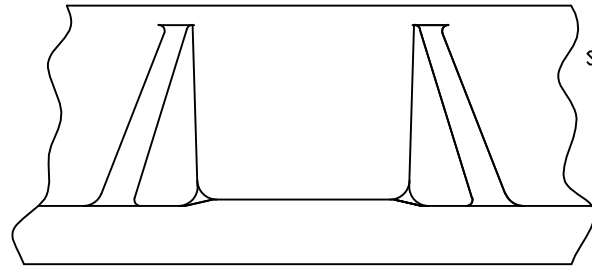
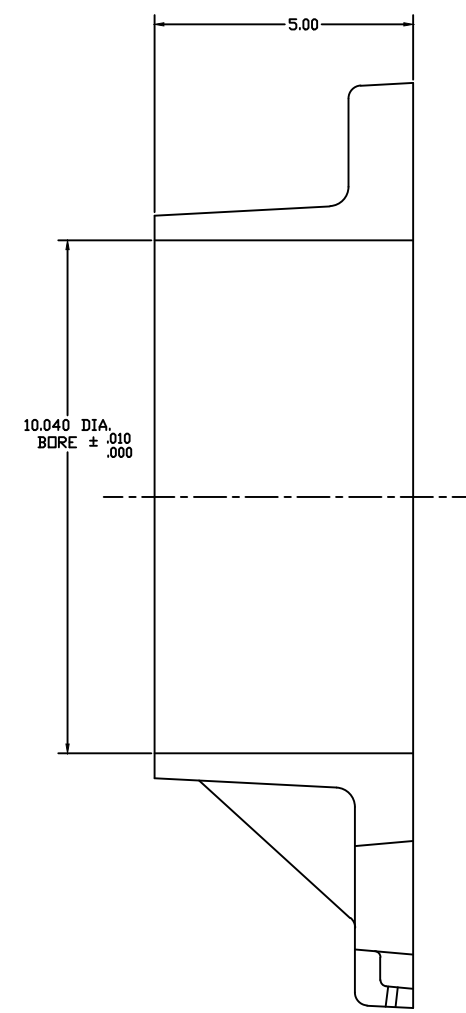
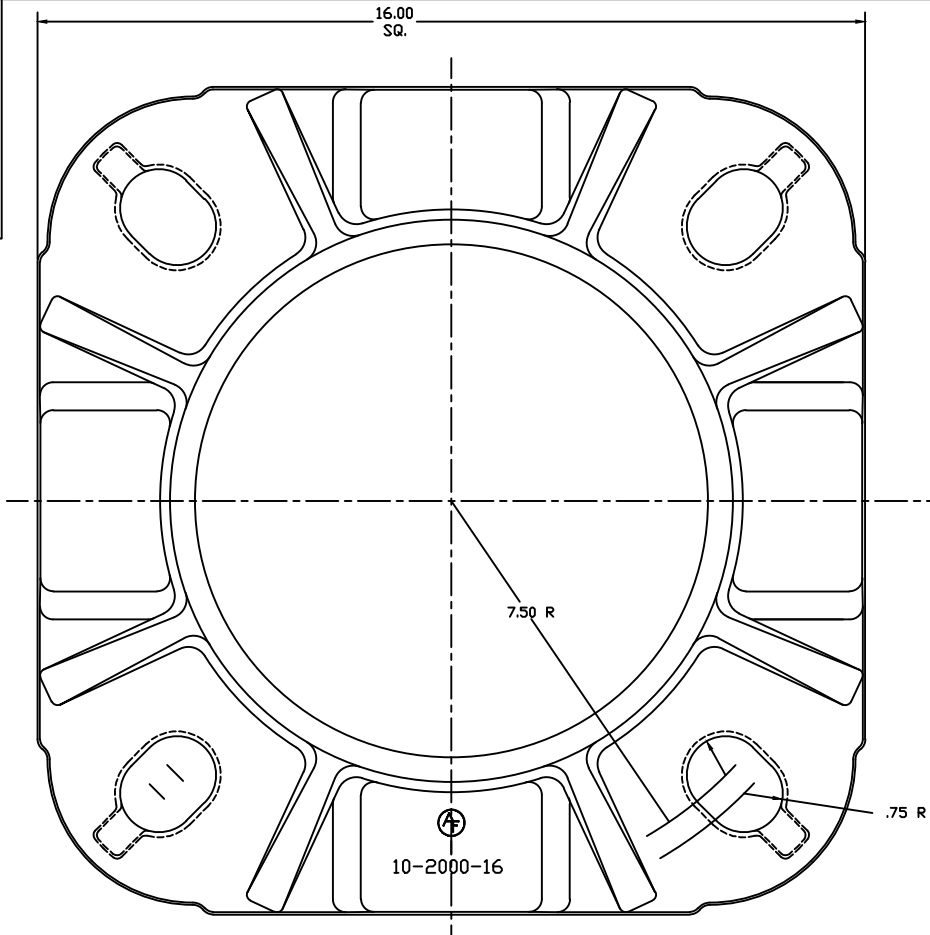


10-2000-16-S



SPECIFY ONE OF THE FOLLOWING BOLT SLOT DIMENSION:

1.50 DIA. (.156 DIA.)	16.00 DIA. B.C.
1.125 DIA. SLOT (.566 R)	14.39 DIA. THRU 16.63 DIA. B.C.
1.131 DIA. SLOT (.661 R)	14.75 DIA. THRU 16.25 DIA. B.C.
1.500 DIA. SLOT (.755 R)	14.75 DIA. THRU 16.25 DIA. B.C.

JOB# 9018-S

AKRON FOUNDRY COMPANY

10" ANCHORE BASE

01-21-01 356 T6
FULL L YERGIN

10-2000-16-S