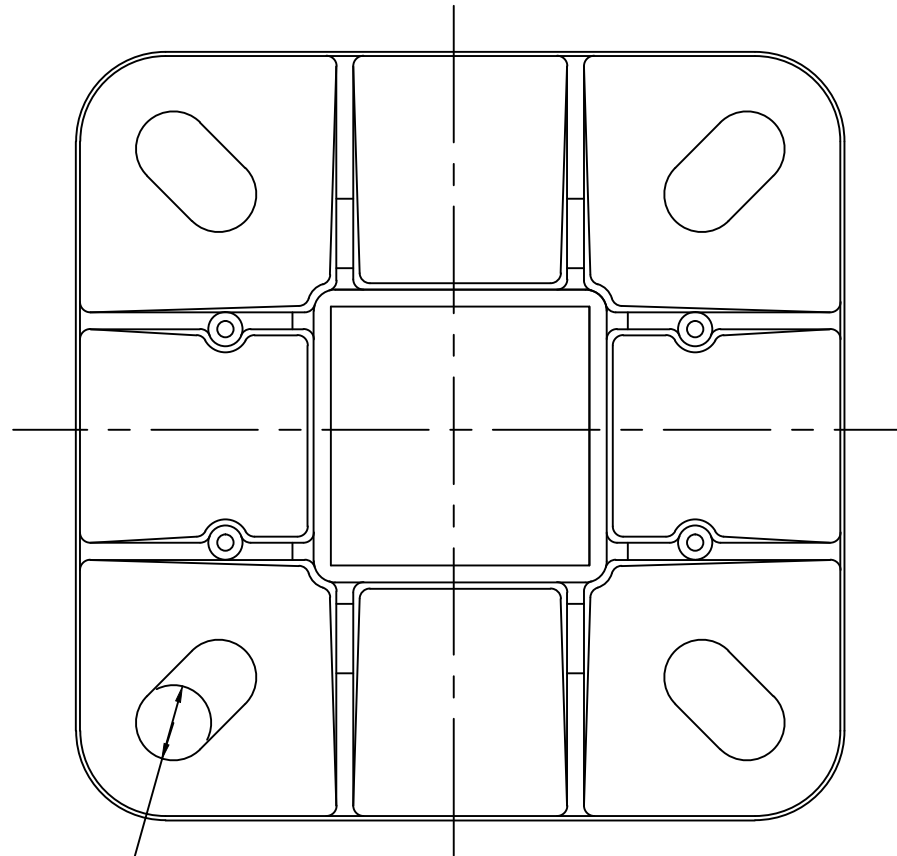
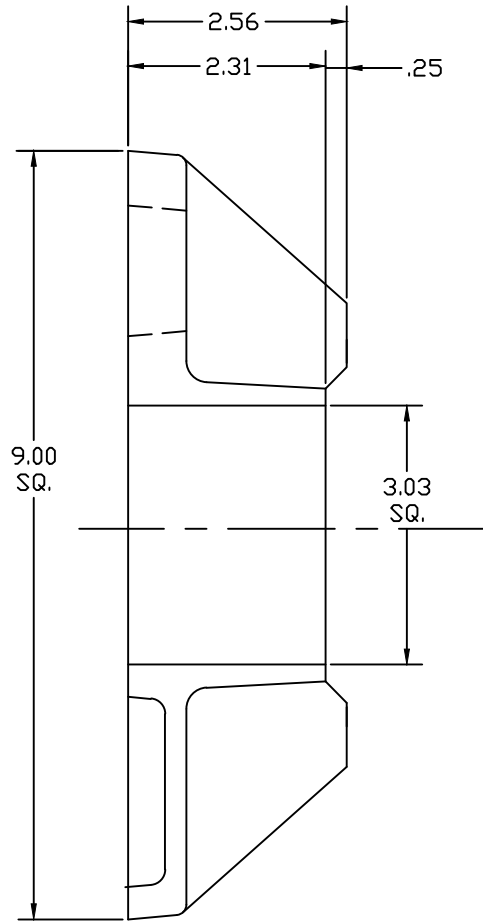


3" SQ. 395-B



.88 DIA. CORE
PLUS 5° DRAFT PER SIDE
4 PLS. EQ. SPACED ON
8.00 DIA. THRU 9.50 DIA. B.C.

JOB #2285-B

Akron Foundry Company

3" SQ. ANCHORE BASE

MATERIAL 356 T6

6-14-01 L. YERGIN

395 - SQ.-B