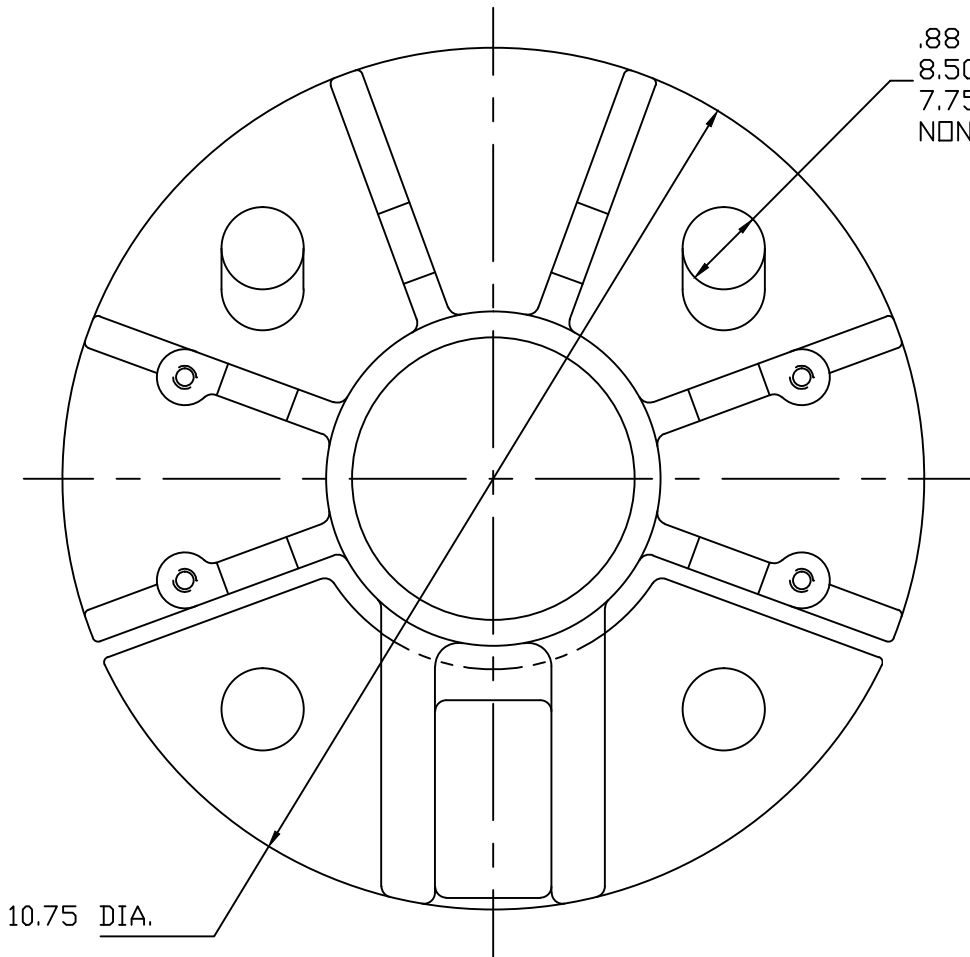
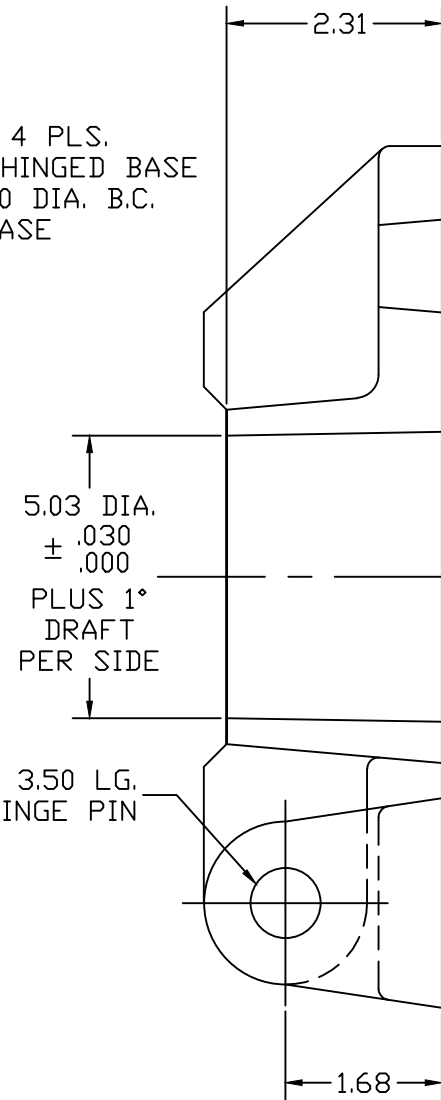


595-RD-BASE



.88 DIA. CORE 4 PLS.  
8.50 DIA. B.C. HINGED BASE  
7.75 THRU 8.50 DIA. B.C.  
NON-HINGED BASE

10.75 DIA.



3/4 DIA. X 3.50 LG.  
S.S. HINGE PIN

5.03 DIA.  
± .030  
± .000  
PLUS 1°  
DRAFT  
PER SIDE

AKRON FOUNDRY COMPANY

595-RD-HB BASE JOB# 2292-HB

6-1-95

NO SCALE L YERGIN

595-RD BASE