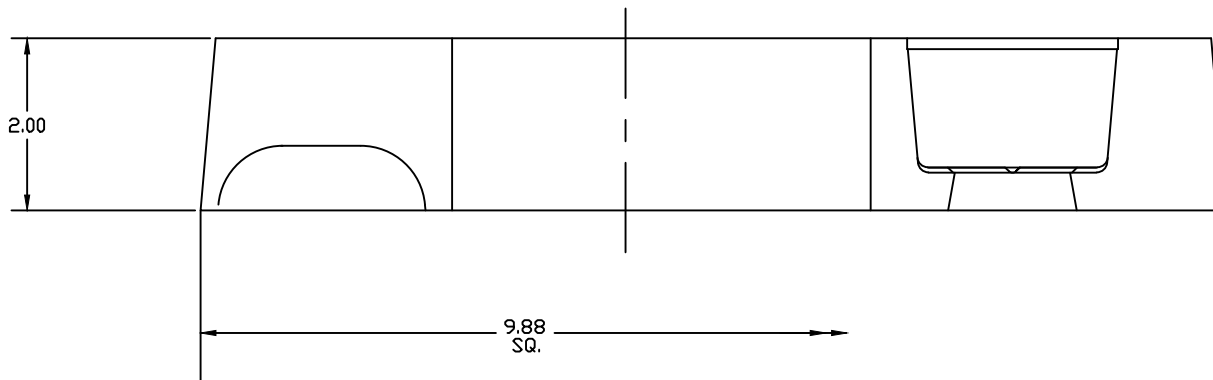
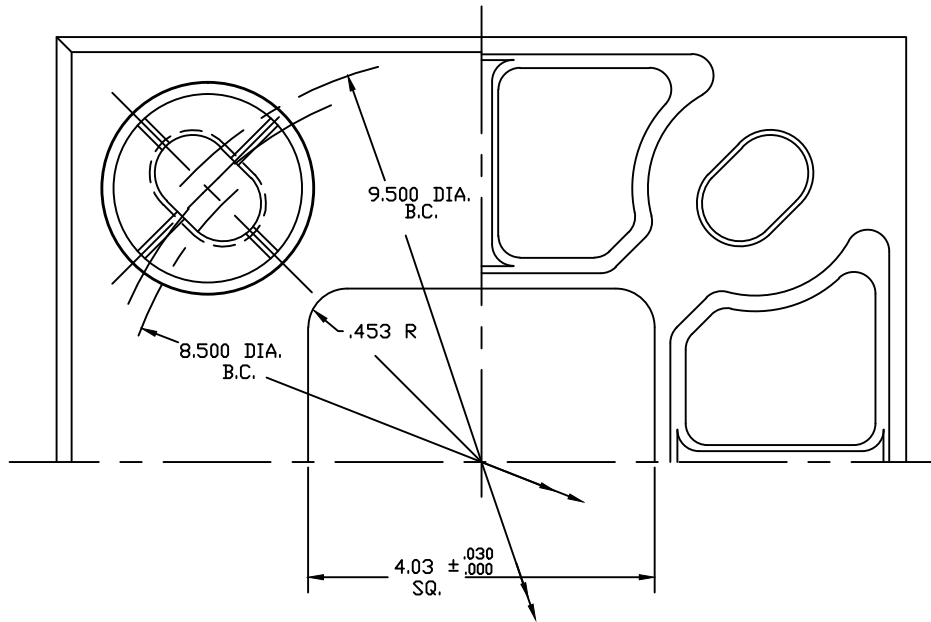


4" SQ. 2728-S-RADIUS



MACHINE CORNER POCKETS TO ACCEPT P.F.
SIZE "B" VANDAL COVER
4.03 INSIDE SQUARE TO BE DIE TRIMMED

JOB #6585-S-R

Akron Foundry Company	
4" SQUARE BASE SLOTTED-RADIUS	
MATERIAL 356 T6	4" SQ-2728-S-RADIUS
2/2/01 L. YERGIN	