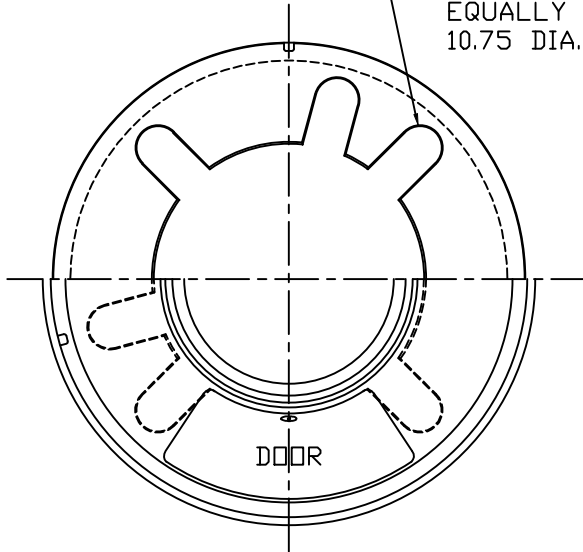
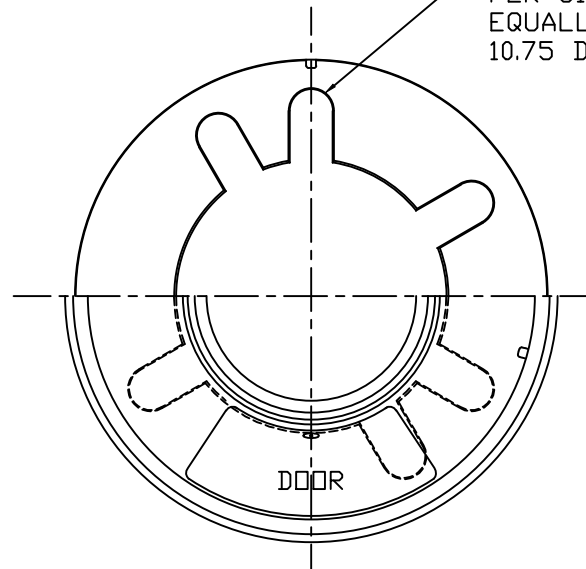


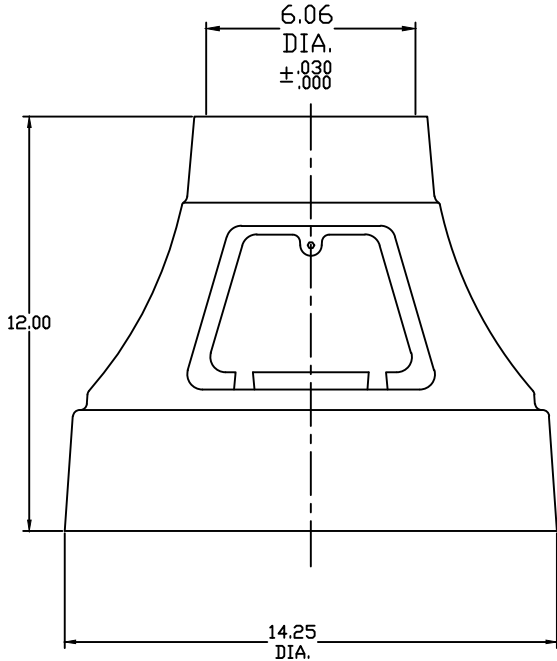
.62 R PLUS 5° DRAFT
 PER SIDE 4 PLS.
 EQUALLY SPACED ON
 10.75 DIA. B.C.



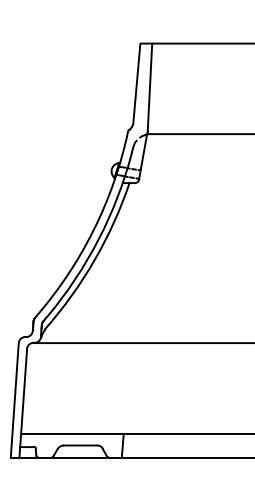
.62 R PLUS 5° DRAFT
 PER SIDE 3 PLS.
 EQUALLY SPACED ON
 10.75 DIA. B.C.



6.06
 DIA.
 ± .030
 ± .000



SPECIFY 3 OR 4 BOLT APPLICATIONS



JOB# 2355-W-BLK

AKRON FOUNDRY COMPANY		
TS-6 BASE / 3 OR 4 BOLT PATTERN		
5-9-02	MATERIAL 356 T6	STANDARD TS-6
FULL	L YERGIN	