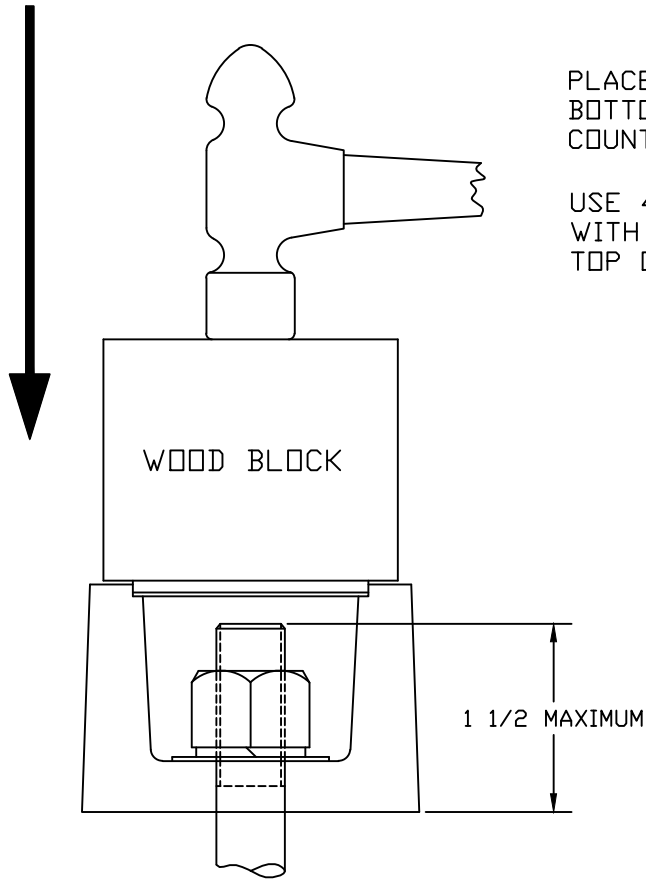


TO INSTALL COVER

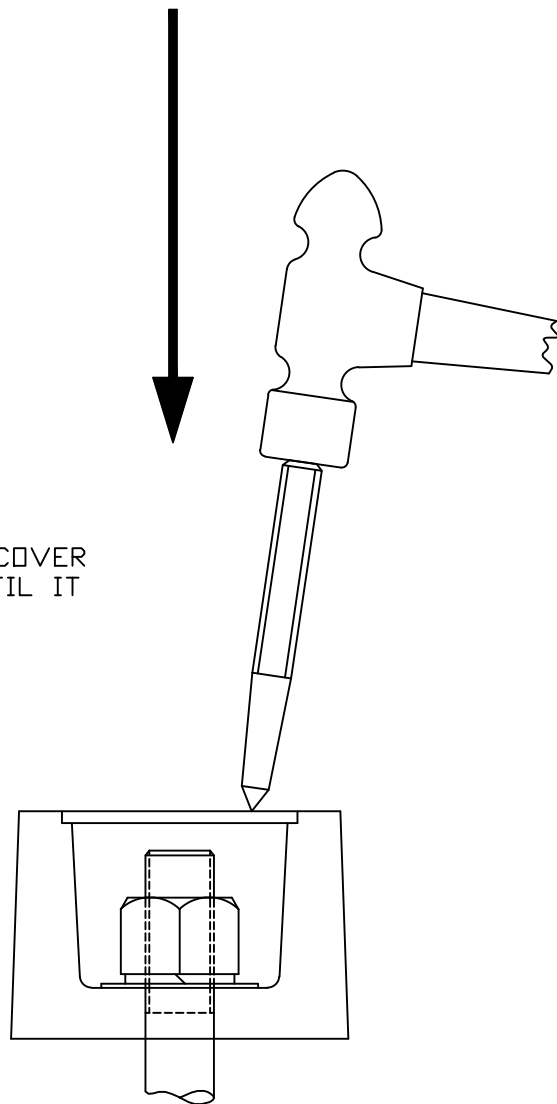
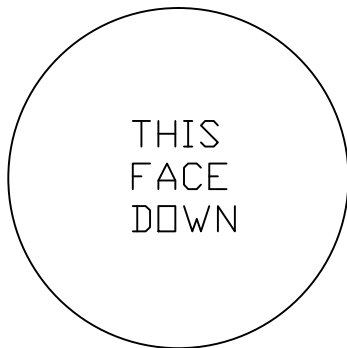
PLACE COVER (SIDE DOWN AS STAMPED ON BOTTOM SIDE OF COVER) IN MACHINED COUNTERBORED HOLE

USE 4 X 4 BLOCK OF WOOD & TAP EVENLY WITH HAMMER UNTIL COVER IS FLUSH WITH TOP OF BASE CASTING



TO REMOVE COVER

USE PUNCH OR SCREW DRIVER & STRIKE COVER OFF-CENTER AWAY FROM COVER EDGE UNTIL IT HAS DEFORMED SUFFICIENTLY TO REMOVE



CAUTION: DO NOT STRIKE OR DAMAGE BASE COUNTERBORE OF BASE SEAT